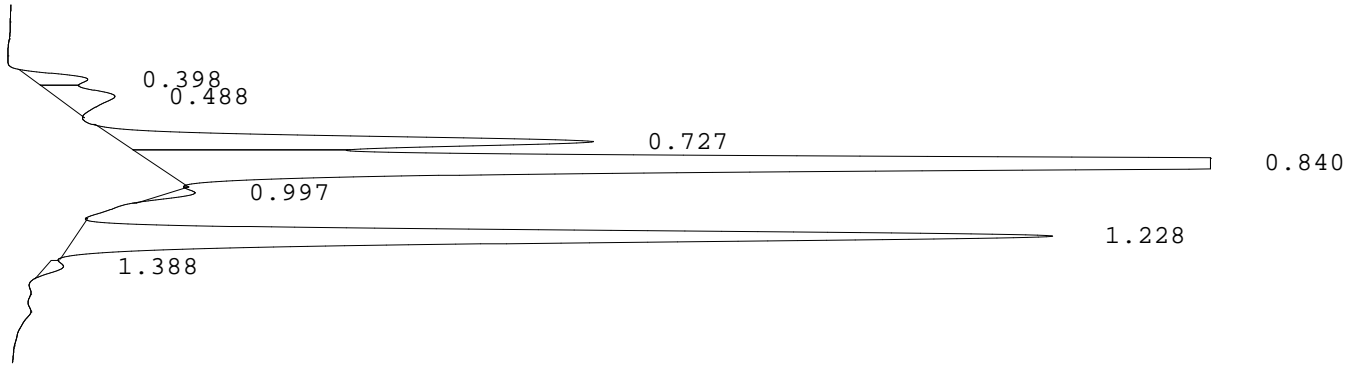


LABORATORIO PREGEN  
Carrera 15a No 106-42  
BOGOTA

Batch 1850, Rack A, Plate 1, Well F12, 785496  
[C92599C67517AECA] Jul 02, 2025 12:56:24 Pressure = 60 bar (60 to 61)

FA



PEAK	RT	REL RT	% CONC	AREA	COMMENT
1	0.398	F 0.47	1.3%	17154	
2	0.488	F 0.58	2.4%	32652	
3	0.727	F 0.86	12.1%	164251	Acetylated F peak
4	0.840	F 0.99	55.4%	752470	Consistent with F
5	0.997	F 1.18	0.6%	8433	
6	1.228	A 1.01	27.8%	378233	A peak - REVIEW
7	1.388	S 0.89	0.4%	5979	

Total Area: 1359172

- Codes:
- 1) Wide A peak
  - 2) Area of A peak < 80%
  - 3) Peak area greater than expected
  - 4) Peak after A2
  - 5) Alc > 10%
  - 6) HbF or variant present
  - 7) Total sample area too small/big
  - 8) A2 is not within normal range