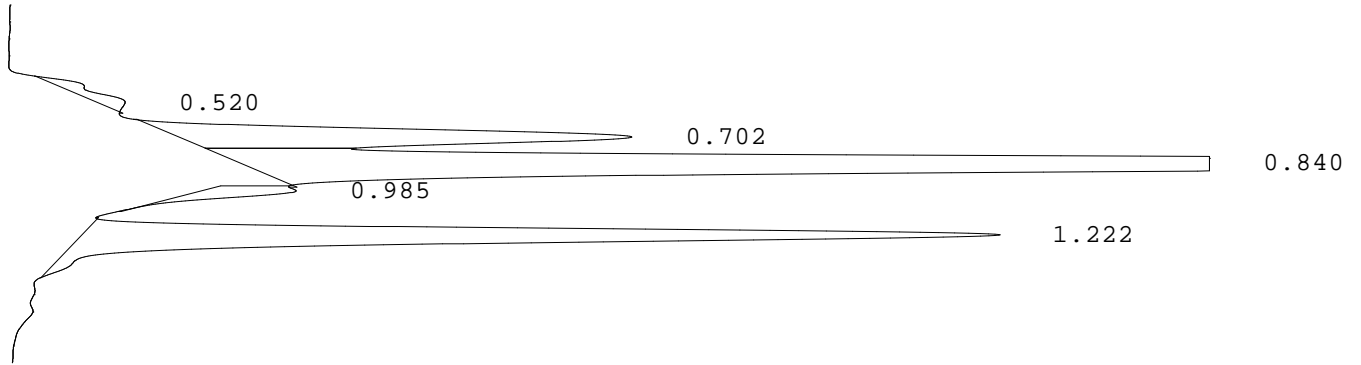


LABORATORIO PREGEN  
Carrera 15a No 106-42  
BOGOTA

Batch 2137, Rack A, Plate 1, Well A12, 496409  
[98224BBF9A9C2EC8] Apr 30, 2026 11:54:33 Pressure = 63 bar (62 to 64)

FA



PEAK	RT	REL RT	% CONC	AREA	COMMENT
1	0.520	F 0.61	1.4%	22558	
2	0.702	F 0.82	13.2%	210263	Acetylated F peak
3	0.840	F 0.98	57.7%	916191	Consistent with F
4	0.985	F 1.15	2.2%	35041	
5	1.222	A 1.01	25.4%	403646	A peak - REVIEW
Total Area:				1587699	

- Codes:
- 1) Wide A peak
  - 2) Area of A peak < 80%
  - 3) Peak area greater than expected
  - 4) Peak after A2
  - 5) Alc > 10%
  - 6) HbF or variant present
  - 7) Total sample area too small/big
  - 8) A2 is not within normal range