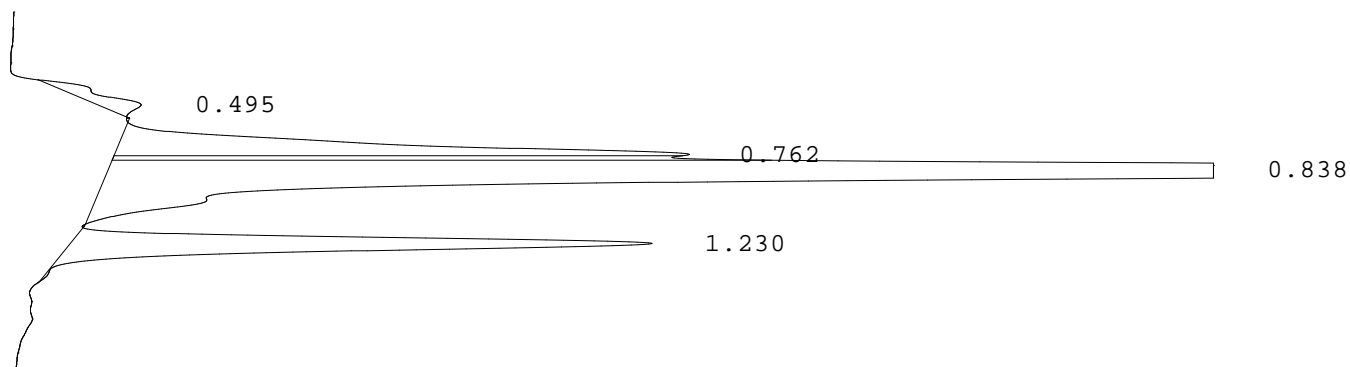


LABORATORIO PREGEN  
Carrera 15a No 106-42  
BOGOTA

Batch 2025, Rack A, Plate 1, Well H01, 490124  
[9D738578B328A44A] Dec 23, 2025 13:56:48 Pressure = 75 bar (75 to 77)

FA



PEAK	RT	REL RT	% CONC	AREA	COMMENT
1	0.495	F 0.57	1.7%	29128	
2	0.762	F 0.88	15.7%	276229	Acetylated F peak
3	0.838	F 0.97	68.9%	1210885	Consistent with F
4	1.230	A 1.01	13.7%	239993	A peak
Total Area:				1756235	

- Codes:
- 1) Wide A peak
  - 2) Area of A peak < 80%
  - 3) Peak area greater than expected
  - 4) Peak after A2
  - 5) Alc > 10%
  - 6) HbF or variant present
  - 7) Total sample area too small/big
  - 8) A2 is not within normal range