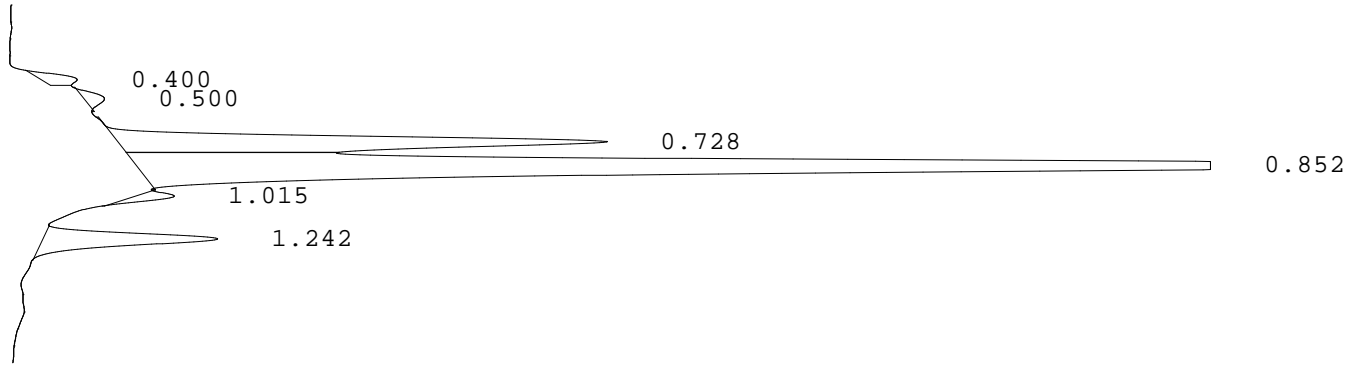


LABORATORIO PREGEN
 Carrera 15a No 106-42
 BOGOTA

Batch 1982, Rack A, Plate 1, Well C09, 482039
 [C827E707A15026E0] Nov 19, 2025 11:42:23 Pressure = 68 bar (68 to 70)

FA



PEAK	RT	REL RT	% CONC	AREA	COMMENT
1	0.400	F 0.46	1.3%	11005	
2	0.500	F 0.58	1.0%	8387	
3	0.728	F 0.85	21.4%	187403	
4	0.852	F 0.99	67.7%	592488	Consistent with F
5	1.015	F 1.18	1.3%	11016	
6	1.242	A 1.01	7.5%	65242	A peak
Total Area:				875541	

- Codes:
- 1) Wide A peak
 - 2) Area of A peak < 80%
 - 3) Peak area greater than expected
 - 4) Peak after A2
 - 5) Alc > 10%
 - 6) HbF or variant present
 - 7) Total sample area too small/big
 - 8) A2 is not within normal range