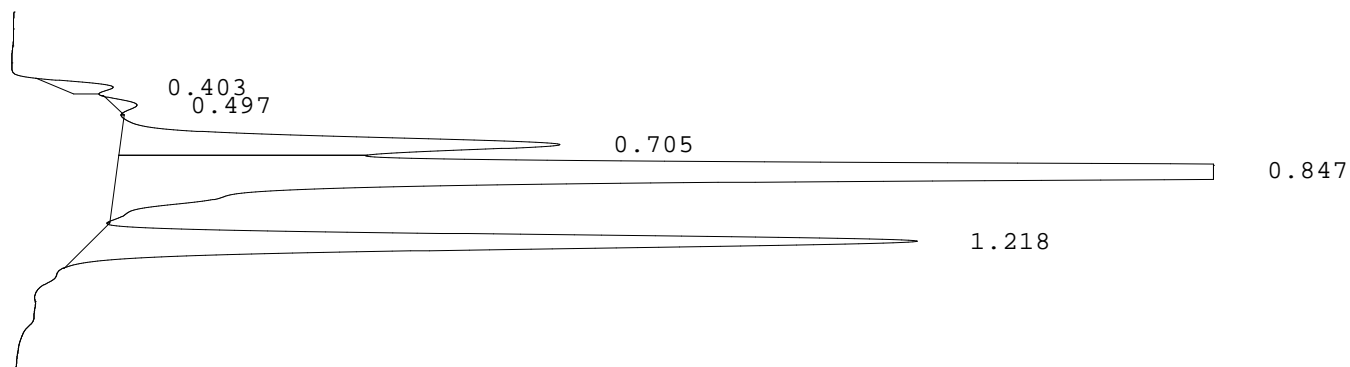


LABORATORIO PREGEN  
Carrera 15a No 106-42  
BOGOTA

Batch 2029, Rack A, Plate 1, Well F02, 171697  
[8D72D7EDEF5DDB15] Dec 29, 2025 12:59:31 Pressure = 74 bar (74 to 77)

FA



PEAK	RT	REL RT	% CONC	AREA	COMMENT
1	0.403	F 0.47	0.9%	16928	
2	0.497	F 0.58	0.4%	7785	
3	0.705	F 0.82	11.5%	215086	Acetylated F peak
4	0.847	F 0.99	67.0%	1248943	Consistent with F
5	1.218	A 1.01	20.1%	374513	A peak - REVIEW

Total Area: 1863255

- Codes:
- 1) Wide A peak
  - 2) Area of A peak < 80%
  - 3) Peak area greater than expected
  - 4) Peak after A2
  - 5) Alc > 10%
  - 6) HbF or variant present
  - 7) Total sample area too small/big
  - 8) A2 is not within normal range