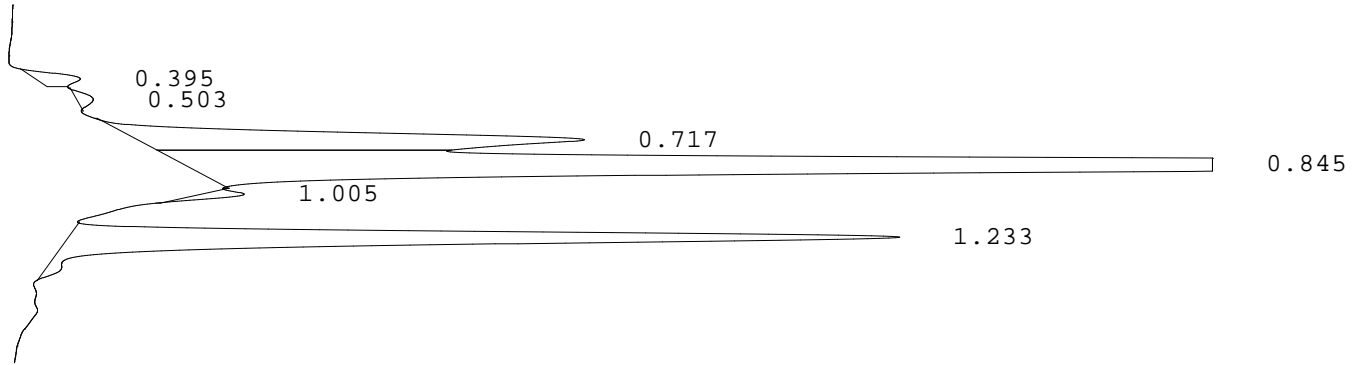


LABORATORIO PREGEN
Carrera 15a No 106-42
BOGOTA

Batch 1953, Rack A, Plate 1, Well H02, 859817
[D9644E8FBFEB84C0] Oct 21, 2025 13:11:07 Pressure = 64 bar (64 to 66)

FA



PEAK	RT	REL RT	% CONC	AREA	COMMENT
1	0.395	F 0.46	1.0%	14965	
2	0.503	F 0.58	0.5%	6692	
3	0.717	F 0.83	14.1%	208649	Acetylated F peak
4	0.845	F 0.98	61.6%	910919	Consistent with F
5	1.005	F 1.16	0.8%	11844	
6	1.233	A 1.00	22.0%	324929	A peak - REVIEW

Total Area: 1477998

- Codes:
- 1) Wide A peak
 - 2) Area of A peak < 80%
 - 3) Peak area greater than expected
 - 4) Peak after A2
 - 5) Alc > 10%
 - 6) HbF or variant present
 - 7) Total sample area too small/big
 - 8) A2 is not within normal range