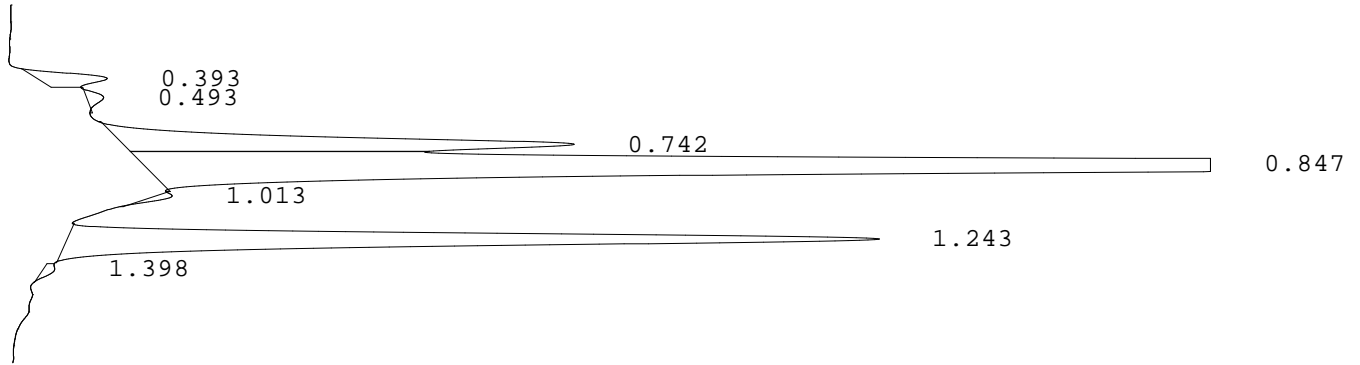


LABORATORIO PREGEN  
 Carrera 15a No 106-42  
 BOGOTA

Batch 1993, Rack A, Plate 1, Well D05, 171178  
 [9962E992FDB08640] Nov 25, 2025 11:56:03 Pressure = 68 bar (68 to 70)

FA



PEAK	RT	REL RT	% CONC	AREA	COMMENT
1	0.393	F 0.45	1.6%	23270	
2	0.493	F 0.56	0.5%	6609	
3	0.742	F 0.85	12.5%	178378	Acetylated F peak
4	0.847	F 0.97	62.8%	896761	Consistent with F
5	1.013	F 1.16	0.4%	5710	
6	1.243	A 1.01	21.9%	312231	A peak - REVIEW
7	1.398	A 1.14	0.3%	4292	
Total Area:				1427251	

- Codes:
- 1) Wide A peak
  - 2) Area of A peak < 80%
  - 3) Peak area greater than expected
  - 4) Peak after A2
  - 5) Alc > 10%
  - 6) HbF or variant present
  - 7) Total sample area too small/big
  - 8) A2 is not within normal range