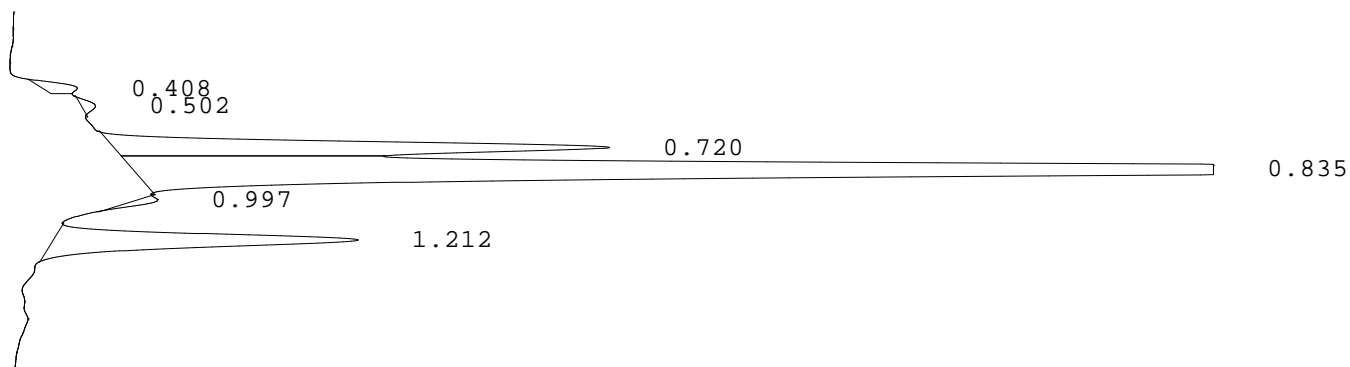


LABORATORIO PREGEN  
Carrera 15a No 106-42  
BOGOTA

Batch 2061, Rack A, Plate 1, Well H09, 489196  
[DC639B05F43FFBB7] Jan 30, 2026 13:13:34 Pressure = 88 bar (88 to 91)

FA



PEAK	RT	REL RT	% CONC	AREA	COMMENT
1	0.408	F 0.48	1.0%	10370	
2	0.502	F 0.59	0.5%	5171	
3	0.720	F 0.84	17.3%	181914	Acetylated F peak
4	0.835	F 0.98	68.9%	725749	Consistent with F
5	0.997	F 1.17	0.7%	7461	
6	1.212	A 1.02	11.7%	123368	A peak
Total Area:				1054033	

- Codes:
- 1) Wide A peak
  - 2) Area of A peak < 80%
  - 3) Peak area greater than expected
  - 4) Peak after A2
  - 5) Alc > 10%
  - 6) HbF or variant present
  - 7) Total sample area too small/big
  - 8) A2 is not within normal range