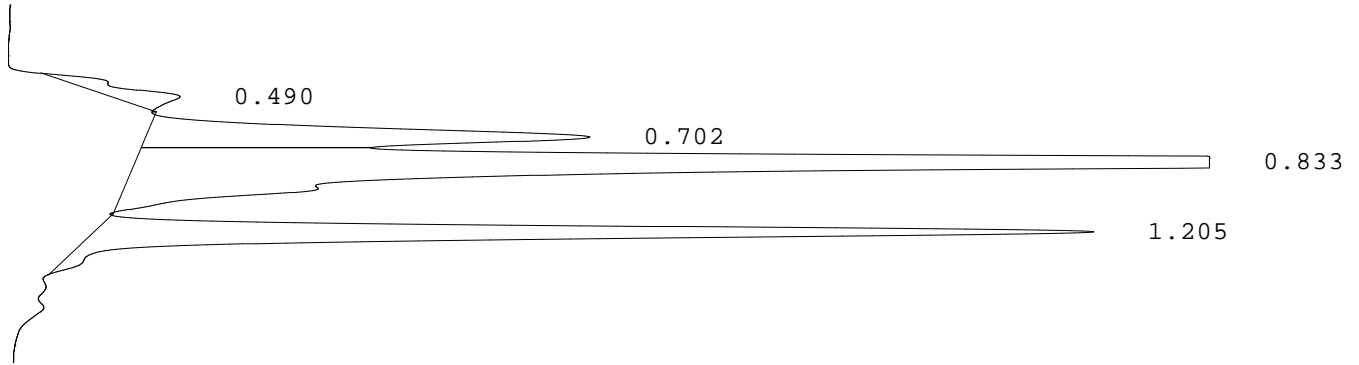


LABORATORIO PREGEN
Carrera 15a No 106-42
BOGOTA

Batch 1919, Rack A, Plate 1, Well B04, 478605
[DC2417815DD67BBF] Sep 24, 2025 11:20:28 Pressure = 61 bar (60 to 62)

FA



PEAK	RT	REL RT	% CONC	AREA	COMMENT
1	0.490	F 0.58	2.6%	42289	
2	0.702	F 0.84	13.7%	224129	Acetylated F peak
3	0.833	F 0.99	59.3%	973176	Consistent with F
4	1.205	A 1.00	24.4%	400713	A peak - REVIEW
Total Area: 1640307					

- Codes:
- 1) Wide A peak
 - 2) Area of A peak < 80%
 - 3) Peak area greater than expected
 - 4) Peak after A2
 - 5) Alc > 10%
 - 6) HbF or variant present
 - 7) Total sample area too small/big
 - 8) A2 is not within normal range