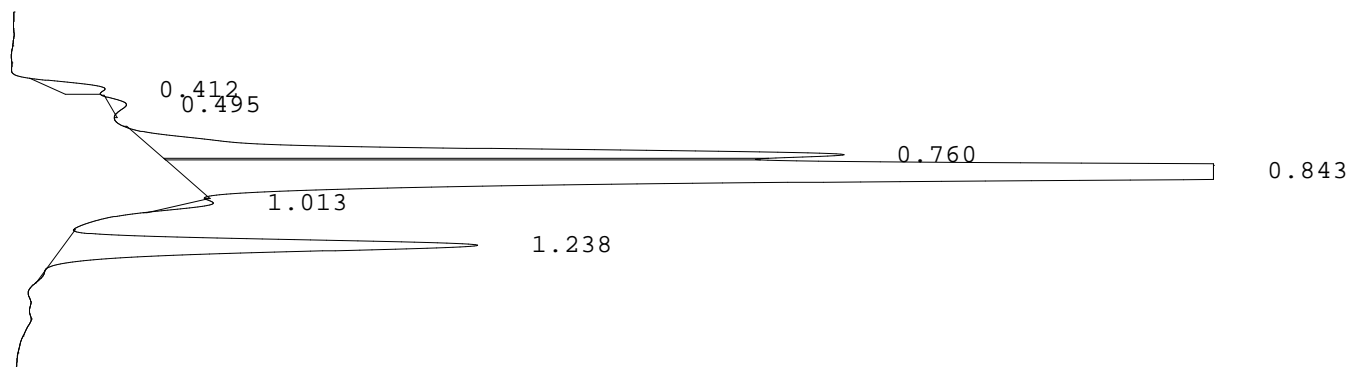


LABORATORIO PREGEN
 Carrera 15a No 106-42
 BOGOTA

Batch 2003, Rack A, Plate 1, Well F03, 484319
 [9967EFA4254FDB95] Dec 03, 2025 12:16:59 Pressure = 72 bar (72 to 74)

FA



PEAK	RT	REL RT	% CONC	AREA	COMMENT
1	0.412	F 0.48	1.1%	16721	
2	0.495	F 0.58	0.4%	6375	
3	0.760	F 0.89	15.1%	234830	Acetylated F peak
4	0.843	F 0.98	72.5%	1129645	Consistent with F
5	1.013	F 1.18	0.5%	8024	
6	1.238	A 1.00	10.5%	163480	A peak
Total Area:				1559075	

- Codes:
- 1) Wide A peak
 - 2) Area of A peak < 80%
 - 3) Peak area greater than expected
 - 4) Peak after A2
 - 5) Alc > 10%
 - 6) HbF or variant present
 - 7) Total sample area too small/big
 - 8) A2 is not within normal range