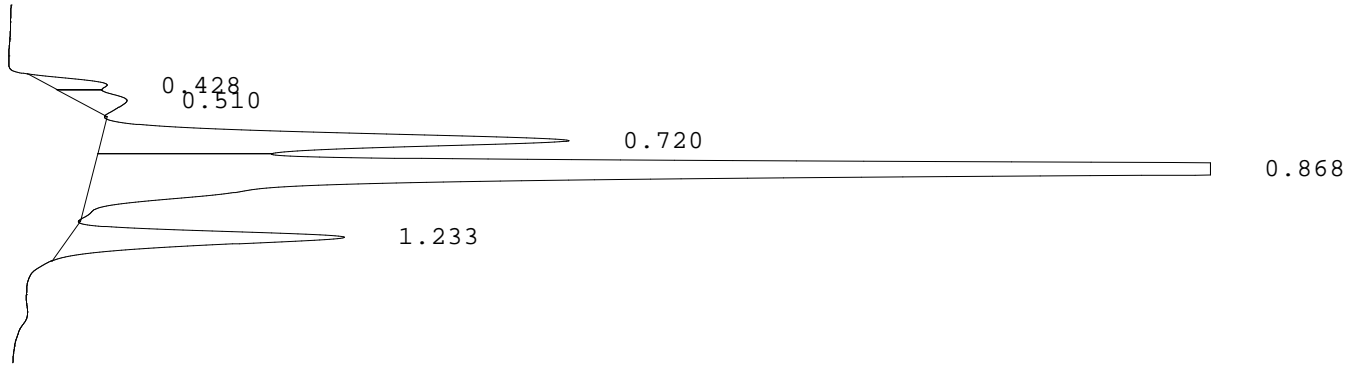


LABORATORIO PREGEN
Carrera 15a No 106-42
BOGOTA

Batch 2124, Rack A, Plate 1, Well D10, 502333
[997209E30D1C8448] Apr 16, 2026 11:43:29 Pressure = 62 bar (62 to 63)

FA



| PEAK | RT | REL RT | % CONC | AREA | COMMENT |
|-------------|-------|--------|--------|---------|-------------------|
| 1 | 0.428 | F 0.49 | 1.5% | 19411 | |
| 2 | 0.510 | F 0.58 | 2.1% | 27188 | |
| 3 | 0.720 | F 0.82 | 17.1% | 224950 | Acetylated F peak |
| 4 | 0.868 | F 0.99 | 70.3% | 923810 | Consistent with F |
| 5 | 1.233 | A 1.00 | 9.1% | 119183 | A peak |
| Total Area: | | | | 1314542 | |

- Codes:
- 1) Wide A peak
 - 2) Area of A peak < 80%
 - 3) Peak area greater than expected
 - 4) Peak after A2
 - 5) Alc > 10%
 - 6) HbF or variant present
 - 7) Total sample area too small/big
 - 8) A2 is not within normal range