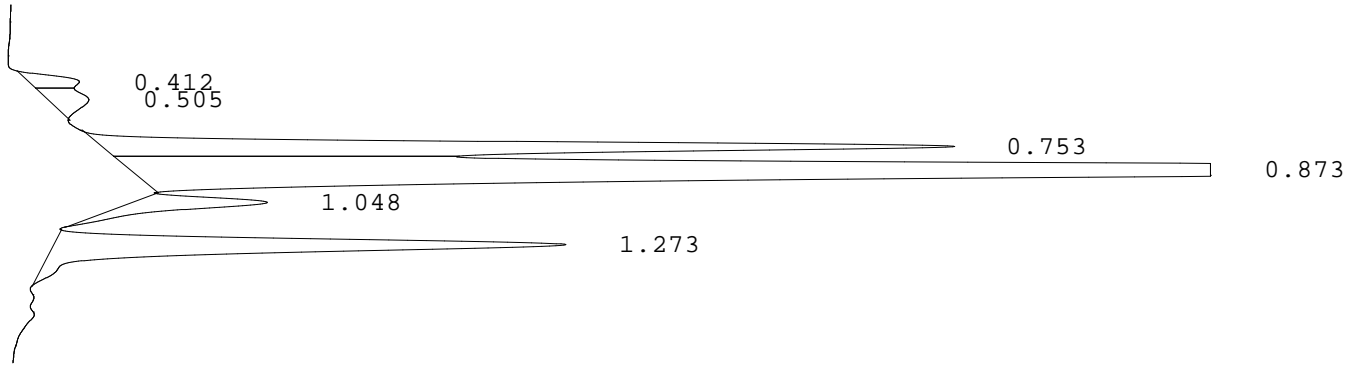


LABORATORIO PREGEN
 Carrera 15a No 106-42
 BOGOTA

Batch 2095, Rack A, Plate 1, Well H03, 492146
 [C9777A778693F197] Mar 17, 2026 14:26:50 Pressure = 55 bar (54 to 57)

FA



PEAK	RT	REL RT	% CONC	AREA	COMMENT
1	0.412	F 0.47	1.2%	17507	
2	0.505	F 0.57	1.7%	25218	
3	0.753	F 0.85	19.0%	281311	
4	0.873	F 0.99	60.1%	888739	Consistent with F
5	1.048	F 1.19	3.6%	53724	
6	1.273	A 1.01	14.3%	211693	A peak
Total Area:				1478192	

- Codes:
- 1) Wide A peak
 - 2) Area of A peak < 80%
 - 3) Peak area greater than expected
 - 4) Peak after A2
 - 5) Alc > 10%
 - 6) HbF or variant present
 - 7) Total sample area too small/big
 - 8) A2 is not within normal range