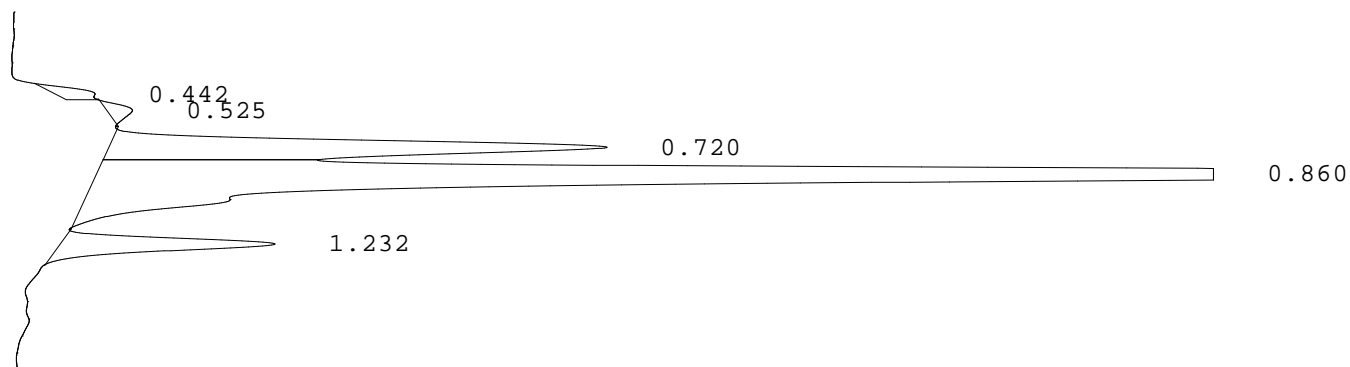


LABORATORIO PREGEN  
Carrera 15a No 106-42  
BOGOTA

Batch 2121, Rack A, Plate 1, Well A07, 489322  
[8C3247165EA15337] Apr 13, 2026 10:43:34 Pressure = 57 bar (57 to 58)

FA



PEAK	RT	REL RT	% CONC	AREA	COMMENT
1	0.442	F 0.51	1.2%	14018	
2	0.525	F 0.61	1.0%	11757	
3	0.720	F 0.83	18.9%	230396	Acetylated F peak
4	0.860	F 0.99	72.1%	878295	Consistent with F
5	1.232	A 0.99	6.9%	83608	A peak

Total Area: 1218074

- Codes:
- 1) Wide A peak
  - 2) Area of A peak < 80%
  - 3) Peak area greater than expected
  - 4) Peak after A2
  - 5) Alc > 10%
  - 6) HbF or variant present
  - 7) Total sample area too small/big
  - 8) A2 is not within normal range