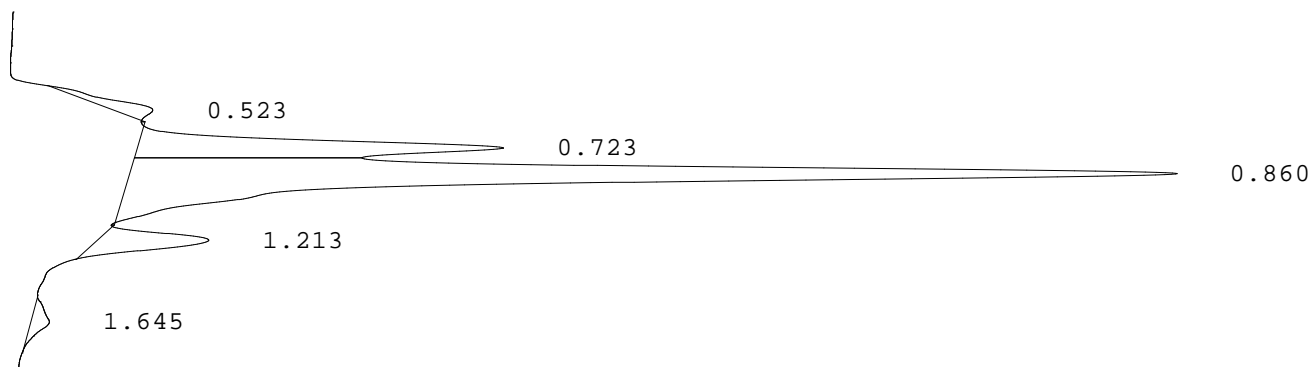


LABORATORIO PREGEN
Carrera 15a No 106-42
BOGOTA

Batch 2156, Rack A, Plate 1, Well G10, 173520
[CC2DA7D2F5584C42] May 26, 2026 14:14:26 Pressure = 65 bar (65 to 66)

FA



PEAK	RT	REL RT	% CONC	AREA	COMMENT
1	0.523	F 0.60	2.9%	24186	
2	0.723	F 0.83	20.0%	168092	Acetylated F peak
3	0.860	F 0.99	68.9%	580638	Consistent with F
4	1.213	A 1.01	6.7%	56109	A peak
5	1.645	S 1.04	1.6%	13428	4 3

Total Area: 842453

- Codes:
- 1) Wide A peak
 - 2) Area of A peak < 80%
 - 3) Peak area greater than expected
 - 4) Peak after A2
 - 5) Alc > 10%
 - 6) HbF or variant present
 - 7) Total sample area too small/big
 - 8) A2 is not within normal range