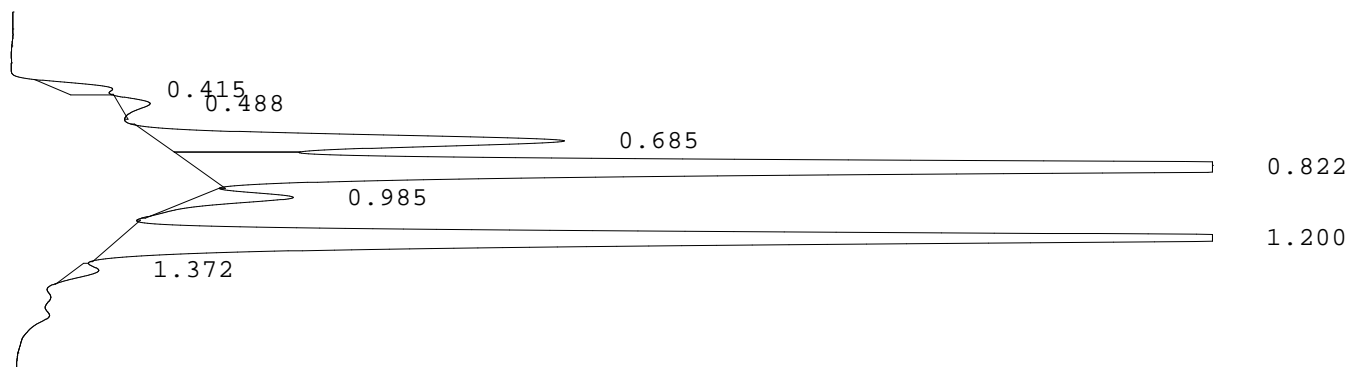


LABORATORIO PREGEN  
 Carrera 15a No 106-42  
 BOGOTA

Batch 1924, Rack A, Plate 1, Well C03, 478891 FA  
 [882057067C8B0EC2] Oct 01, 2025 11:34:18 Pressure = 62 bar (62 to 63)



PEAK	RT	REL RT	% CONC	AREA	COMMENT
1	0.415	F 0.50	1.2%	17653	
2	0.488	F 0.59	0.8%	11541	
3	0.685	F 0.82	11.4%	163347	Acetylated F peak
4	0.822	F 0.99	46.9%	673097	Consistent with F
5	0.985	F 1.18	2.4%	34687	
6	1.200	A 1.01	36.6%	525498	A peak - REVIEW
7	1.372	S 0.89	0.6%	9260	
Total Area:				1435083	

- Codes:
- 1) Wide A peak
  - 2) Area of A peak < 80%
  - 3) Peak area greater than expected
  - 4) Peak after A2
  - 5) Alc > 10%
  - 6) HbF or variant present
  - 7) Total sample area too small/big
  - 8) A2 is not within normal range