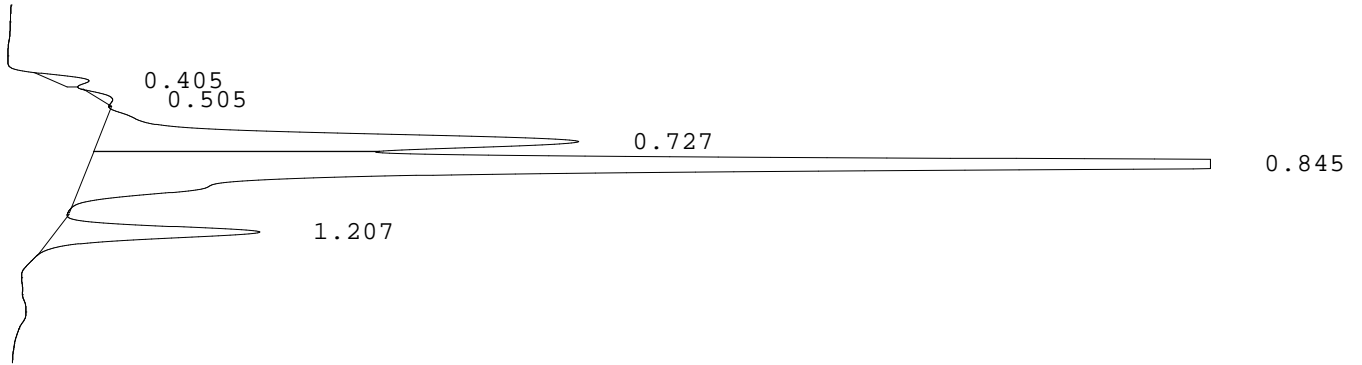


LABORATORIO PREGEN  
Carrera 15a No 106-42  
BOGOTA

Batch 1791, Rack A, Plate 1, Well C04, 457124  
[C925B67F9B52D915] May 07, 2025 10:56:03 Pressure = 59 bar (58 to 60)

FA



PEAK	RT	REL RT	% CONC	AREA	COMMENT
1	0.405	F 0.49	0.9%	9848	
2	0.505	F 0.61	0.4%	4772	
3	0.727	F 0.88	22.9%	243953	
4	0.845	F 1.02	68.3%	728917	Consistent with F
5	1.207	A 1.01	7.5%	79798	A peak
Total Area:				1067288	

- Codes:
- 1) Wide A peak
  - 2) Area of A peak < 80%
  - 3) Peak area greater than expected
  - 4) Peak after A2
  - 5) Alc > 10%
  - 6) HbF or variant present
  - 7) Total sample area too small/big
  - 8) A2 is not within normal range