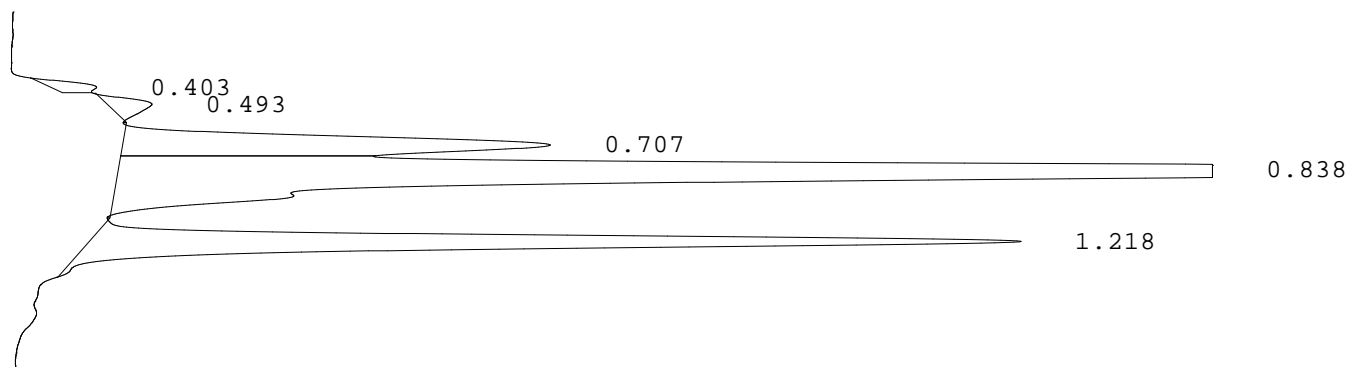


LABORATORIO PREGEN  
 Carrera 15a No 106-42  
 BOGOTA

Batch 1850, Rack A, Plate 1, Well A11, 168865  
 [CD6089D3286AF11D] Jul 02, 2025 10:49:05 Pressure = 61 bar (61 to 63)

FA



PEAK	RT	REL RT	% CONC	AREA	COMMENT
1	0.403	F 0.48	0.8%	13704	
2	0.493	F 0.59	1.3%	20508	
3	0.707	F 0.84	13.4%	219802	Acetylated F peak
4	0.838	F 1.00	61.1%	999343	Consistent with F
5	1.218	A 1.01	23.3%	381429	A peak - REVIEW
Total Area:				1634786	

- Codes:
- 1) Wide A peak
  - 2) Area of A peak < 80%
  - 3) Peak area greater than expected
  - 4) Peak after A2
  - 5) Alc > 10%
  - 6) HbF or variant present
  - 7) Total sample area too small/big
  - 8) A2 is not within normal range