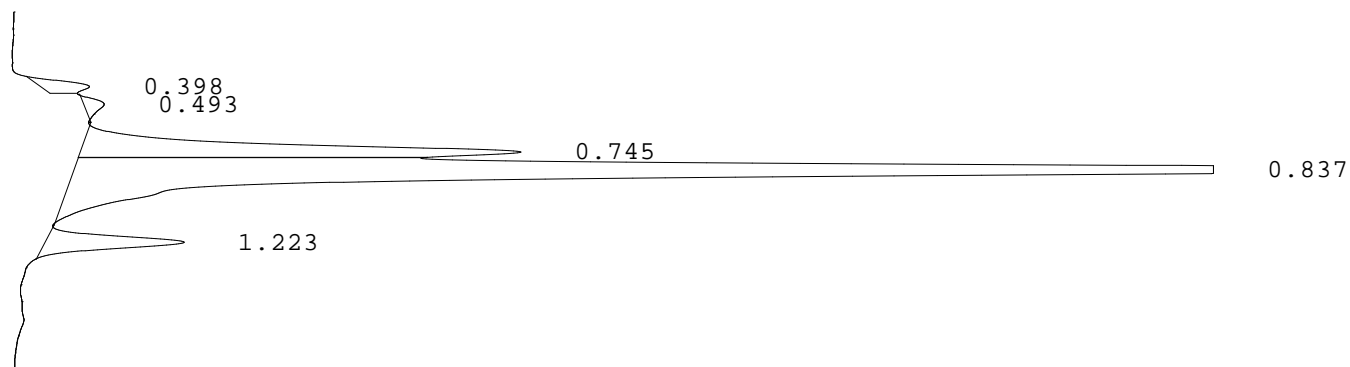


LABORATORIO PREGEN
Carrera 15a No 106-42
BOGOTA

Batch 1824, Rack A, Plate 1, Well A08, 456854
[9D20C0E427AA733F] Jun 04, 2025 10:55:16 Pressure = 57 bar (57 to 59)

FA



PEAK	RT	REL RT	% CONC	AREA	COMMENT
1	0.398	F 0.48	1.7%	15694	
2	0.493	F 0.59	1.0%	8883	
3	0.745	F 0.89	18.6%	169188	Acetylated F peak
4	0.837	F 1.00	73.0%	664115	Consistent with F
5	1.223	A 1.02	5.7%	51914	A peak
Total Area:				909794	

- Codes:
- 1) Wide A peak
 - 2) Area of A peak < 80%
 - 3) Peak area greater than expected
 - 4) Peak after A2
 - 5) Alc > 10%
 - 6) HbF or variant present
 - 7) Total sample area too small/big
 - 8) A2 is not within normal range