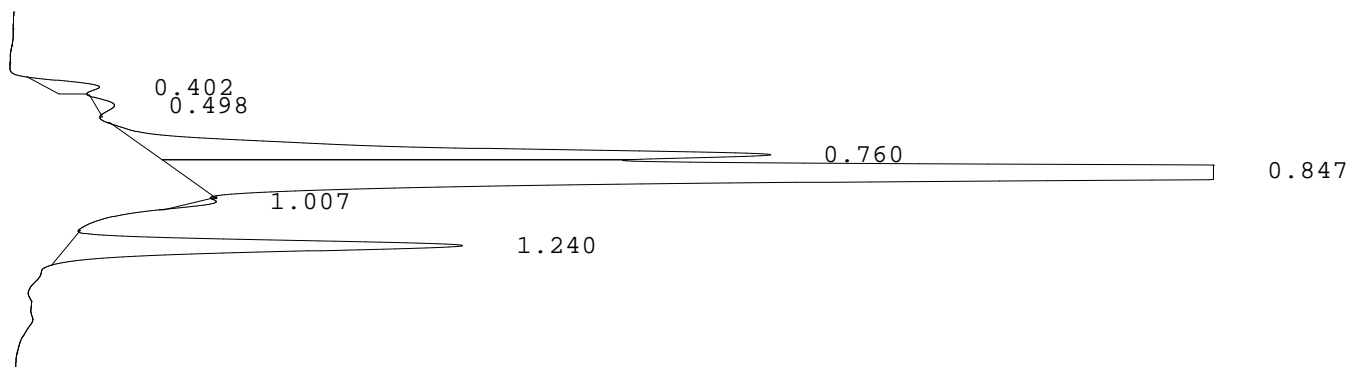


LABORATORIO PREGEN
 Carrera 15a No 106-42
 BOGOTA

Batch 1960, Rack A, Plate 1, Well D09, 478821
 [DC33F1E5F2D206EA] Oct 28, 2025 11:07:08 Pressure = 67 bar (66 to 68)

FA



PEAK	RT	REL RT	% CONC	AREA	COMMENT
1	0.402	F 0.47	1.2%	17457	
2	0.498	F 0.58	0.5%	7129	
3	0.760	F 0.88	15.5%	230295	Acetylated F peak
4	0.847	F 0.98	72.8%	1085206	Consistent with F
5	1.007	F 1.17	0.4%	5836	
6	1.240	A 1.01	9.7%	143788	A peak
Total Area:				1489711	

- Codes:
- 1) Wide A peak
 - 2) Area of A peak < 80%
 - 3) Peak area greater than expected
 - 4) Peak after A2
 - 5) Alc > 10%
 - 6) HbF or variant present
 - 7) Total sample area too small/big
 - 8) A2 is not within normal range