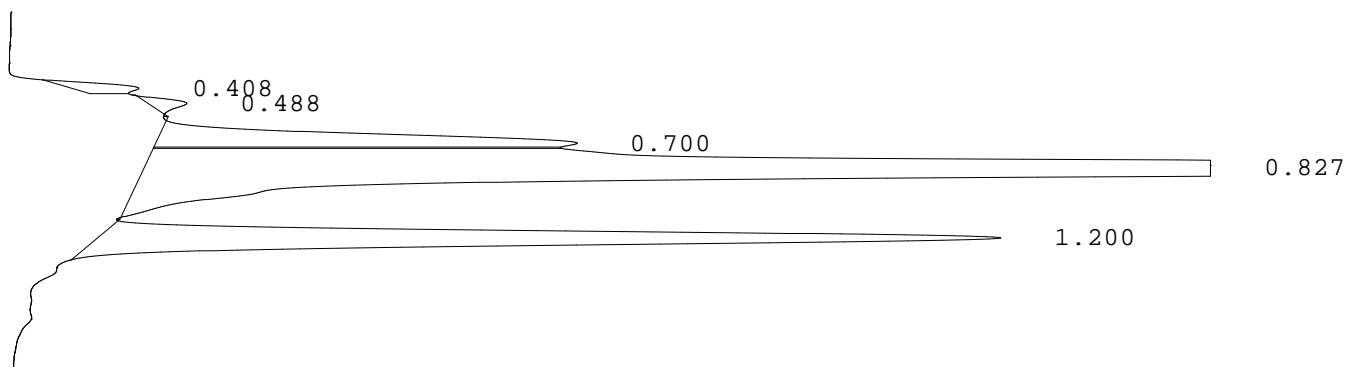


LABORATORIO PREGEN
 Carrera 15a No 106-42
 BOGOTA

Batch 1930, Rack A, Plate 1, Well E06, 170461
 [9C6008A15A498E40] Oct 03, 2025 12:01:55 Pressure = 62 bar (62 to 63)

FA



PEAK	RT	REL RT	% CONC	AREA	COMMENT
1	0.408	F 0.48	0.9%	18705	
2	0.488	F 0.57	0.6%	12923	
3	0.700	F 0.82	8.5%	180401	Acetylated F peak
4	0.827	F 0.97	71.6%	1511217	Consistent with F
5	1.200	A 1.01	18.4%	387590	A peak
Total Area:				2110836	

- Codes:
- 1) Wide A peak
 - 2) Area of A peak < 80%
 - 3) Peak area greater than expected
 - 4) Peak after A2
 - 5) Alc > 10%
 - 6) HbF or variant present
 - 7) Total sample area too small/big
 - 8) A2 is not within normal range