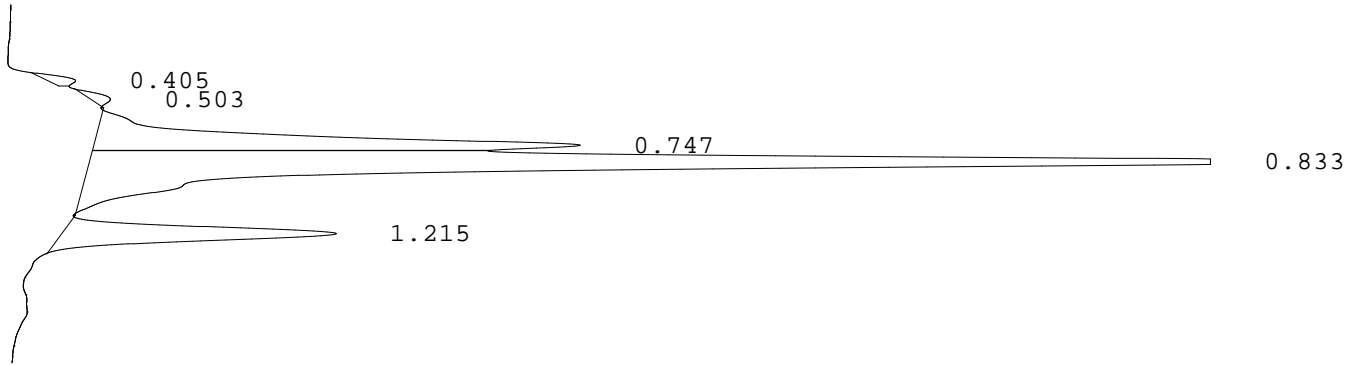


LABORATORIO PREGEN
Carrera 15a No 106-42
BOGOTA

Batch 1791, Rack A, Plate 1, Well C06, 458108
[9D35E32ACE05A4E0] May 07, 2025 11:02:07 Pressure = 59 bar (58 to 60)

FA



PEAK	RT	REL RT	% CONC	AREA	COMMENT
1	0.405	F 0.49	0.8%	7510	
2	0.503	F 0.60	0.8%	7183	
3	0.747	F 0.90	22.0%	204382	
4	0.833	F 1.00	63.7%	590861	Consistent with F
5	1.215	A 1.02	12.7%	117300	A peak
Total Area:				927236	

- Codes:
- 1) Wide A peak
 - 2) Area of A peak < 80%
 - 3) Peak area greater than expected
 - 4) Peak after A2
 - 5) Alc > 10%
 - 6) HbF or variant present
 - 7) Total sample area too small/big
 - 8) A2 is not within normal range