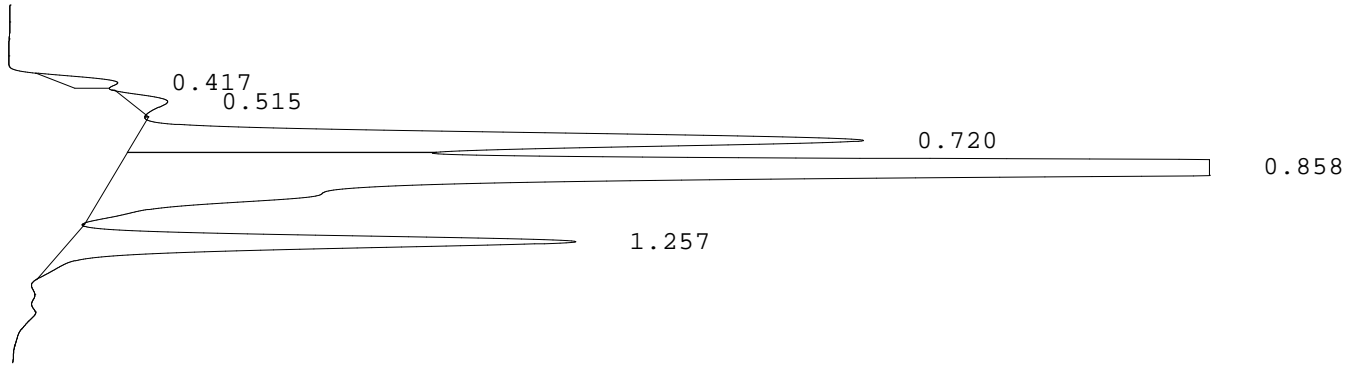


LABORATORIO PREGEN
 Carrera 15a No 106-42
 BOGOTA

Batch 2089, Rack A, Plate 1, Well B08, 498462
 [C832786B1B99FB1F] Mar 06, 2026 12:07:12 Pressure = 56 bar (56 to 58)

FA



PEAK	RT	REL RT	% CONC	AREA	COMMENT
1	0.417	F 0.48	0.9%	17491	
2	0.515	F 0.59	0.9%	16668	
3	0.720	F 0.82	17.9%	350867	Acetylated F peak
4	0.858	F 0.98	69.6%	1362818	Consistent with F
5	1.257	A 1.01	10.8%	210755	A peak
Total Area:				1958599	

- Codes:
- 1) Wide A peak
 - 2) Area of A peak < 80%
 - 3) Peak area greater than expected
 - 4) Peak after A2
 - 5) Alc > 10%
 - 6) HbF or variant present
 - 7) Total sample area too small/big
 - 8) A2 is not within normal range