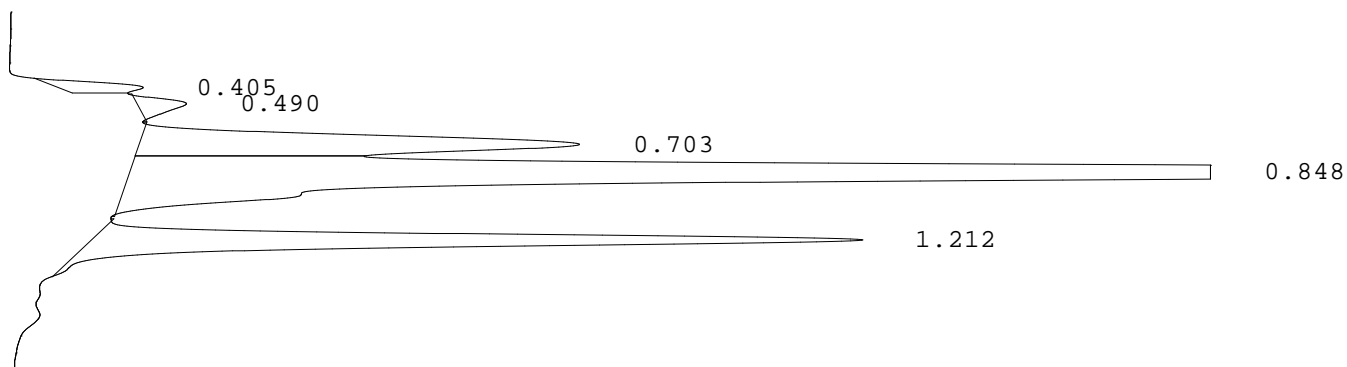


LABORATORIO PREGEN
Carrera 15a No 106-42
BOGOTA

Batch 1903, Rack A, Plate 1, Well A01, 830831-P
[D8307F75DBC4D315] Sep 03, 2025 13:40:35 Pressure = 61 bar (61 to 62)

FA



PEAK	RT	REL RT	% CONC	AREA	COMMENT
1	0.405	F 0.48	1.5%	24642	
2	0.490	F 0.58	1.3%	20997	
3	0.703	F 0.83	14.4%	232571	Acetylated F peak
4	0.848	F 1.01	64.0%	1037919	Consistent with F
5	1.212	A 1.00	18.8%	304386	A peak
Total Area:				1620515	

- Codes:
- 1) Wide A peak
 - 2) Area of A peak < 80%
 - 3) Peak area greater than expected
 - 4) Peak after A2
 - 5) Alc > 10%
 - 6) HbF or variant present
 - 7) Total sample area too small/big
 - 8) A2 is not within normal range