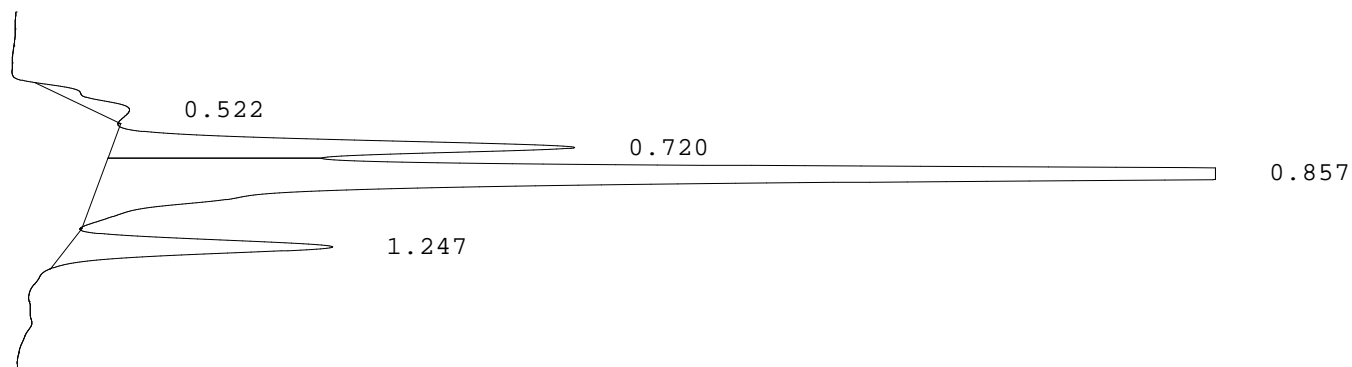


LABORATORIO PREGEN
Carrera 15a No 106-42
BOGOTA

Batch 2127, Rack A, Plate 1, Well F09, 498279
[CC664CDF97B68E40] Apr 21, 2026 12:06:11 Pressure = 62 bar (61 to 64)

FA



PEAK	RT	REL RT	% CONC	AREA	COMMENT
1	0.522	F 0.60	2.3%	28918	
2	0.720	F 0.83	16.6%	206884	Acetylated F peak
3	0.857	F 0.99	71.6%	894091	Consistent with F
4	1.247	A 1.01	9.5%	118605	A peak
Total Area:				1248498	

- Codes:
- 1) Wide A peak
 - 2) Area of A peak < 80%
 - 3) Peak area greater than expected
 - 4) Peak after A2
 - 5) Alc > 10%
 - 6) HbF or variant present
 - 7) Total sample area too small/big
 - 8) A2 is not within normal range