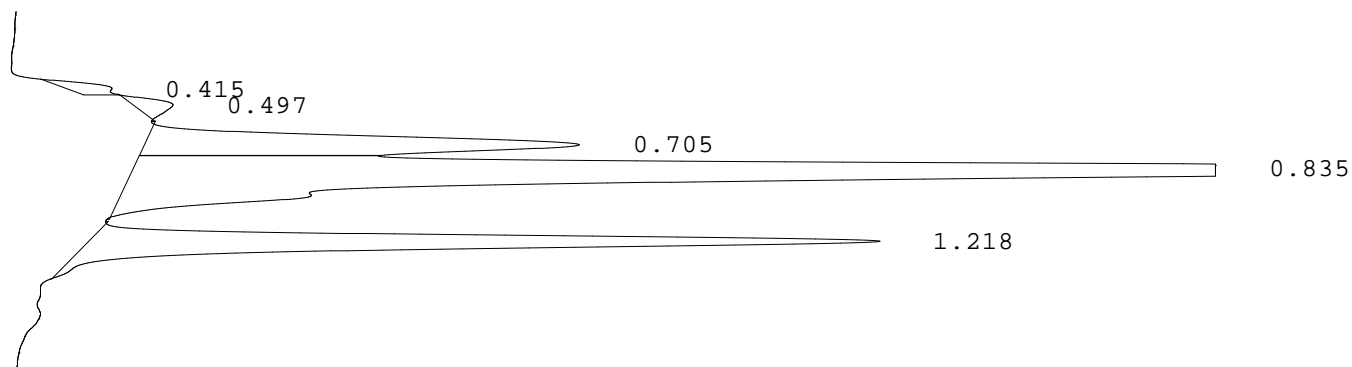


LABORATORIO PREGEN  
Carrera 15a No 106-42  
BOGOTA

Batch 1875, Rack A, Plate 1, Well B03, 457220  
[C865342C3B245937] Jul 30, 2025 11:23:50 Pressure = 59 bar (59 to 61)

FA



PEAK	RT	REL RT	% CONC	AREA	COMMENT
1	0.415	F 0.50	1.0%	15497	
2	0.497	F 0.59	1.2%	18136	
3	0.705	F 0.84	14.4%	220255	Acetylated F peak
4	0.835	F 1.00	61.9%	945843	Consistent with F
5	1.218	A 1.01	21.5%	328247	A peak - REVIEW
Total Area:				1527978	

- Codes:
- 1) Wide A peak
  - 2) Area of A peak < 80%
  - 3) Peak area greater than expected
  - 4) Peak after A2
  - 5) Alc > 10%
  - 6) HbF or variant present
  - 7) Total sample area too small/big
  - 8) A2 is not within normal range