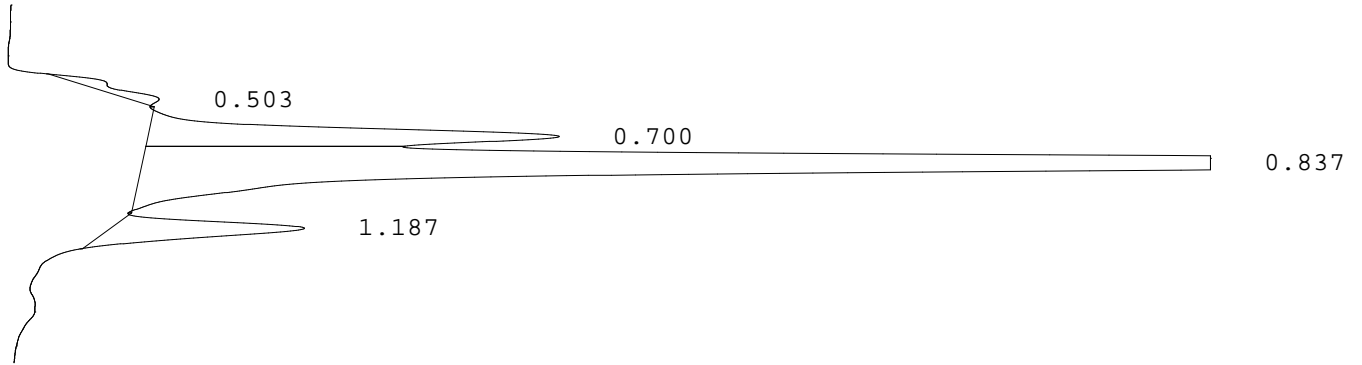


LABORATORIO PREGEN  
Carrera 15a No 106-42  
BOGOTA

Batch 2065, Rack A, Plate 1, Well D06, 498926  
[9C6365EACF8CACC0] Feb 04, 2026 13:03:07 Pressure = 86 bar (85 to 88)

FA



PEAK	RT	REL RT	% CONC	AREA	COMMENT
1	0.503	F 0.60	1.7%	22255	
2	0.700	F 0.83	15.7%	203498	Acetylated F peak
3	0.837	F 0.99	75.5%	979773	Consistent with F
4	1.187	A 1.01	7.1%	92612	A peak
Total Area: 1298138					

- Codes:
- 1) Wide A peak
  - 2) Area of A peak < 80%
  - 3) Peak area greater than expected
  - 4) Peak after A2
  - 5) Alc > 10%
  - 6) HbF or variant present
  - 7) Total sample area too small/big
  - 8) A2 is not within normal range