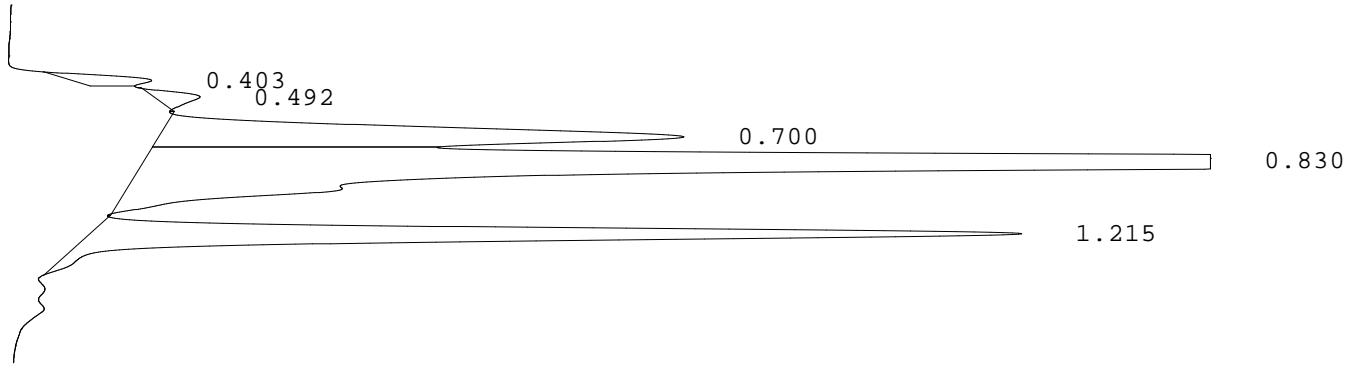


LABORATORIO PREGEN
Carrera 15a No 106-42
BOGOTA

Batch 1903, Rack A, Plate 1, Well A02, 830833-P
[DC716F75DBEE59BF] Sep 03, 2025 13:42:36 Pressure = 61 bar (61 to 63)

FA



PEAK	RT	REL RT	% CONC	AREA	COMMENT
1	0.403	F 0.48	1.2%	22275	
2	0.492	F 0.58	0.9%	17696	
3	0.700	F 0.83	14.2%	273951	Acetylated F peak
4	0.830	F 0.98	64.4%	1244427	Consistent with F
5	1.215	A 1.01	19.4%	374778	A peak
Total Area:				1933127	

- Codes:
- 1) Wide A peak
 - 2) Area of A peak < 80%
 - 3) Peak area greater than expected
 - 4) Peak after A2
 - 5) Alc > 10%
 - 6) HbF or variant present
 - 7) Total sample area too small/big
 - 8) A2 is not within normal range