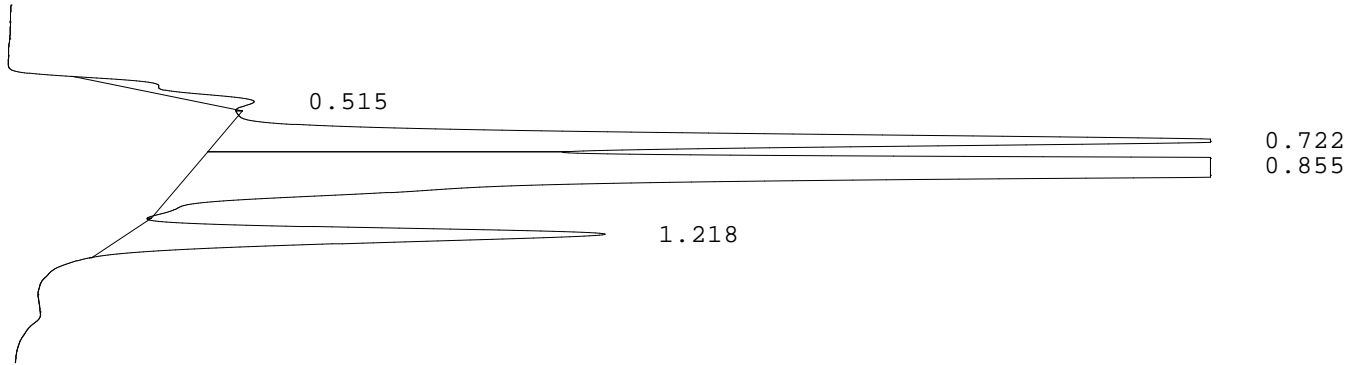


LABORATORIO PREGEN
Carrera 15a No 106-42
BOGOTA

Batch 2130, Rack A, Plate 1, Well G01, 502220
[8833097F919C0442] Apr 24, 2026 13:40:50 Pressure = 61 bar (61 to 63)

FA



PEAK	RT	REL RT	% CONC	AREA	COMMENT
1	0.515	F 0.60	1.5%	38302	
2	0.722	F 0.84	17.9%	455011	Acetylated F peak
3	0.855	F 0.99	72.1%	1834812	Consistent with F
4	1.218	A 0.99	8.6%	218190	A peak
Total Area:				2546315	

- Codes:
- 1) Wide A peak
 - 2) Area of A peak < 80%
 - 3) Peak area greater than expected
 - 4) Peak after A2
 - 5) Alc > 10%
 - 6) HbF or variant present
 - 7) Total sample area too small/big
 - 8) A2 is not within normal range