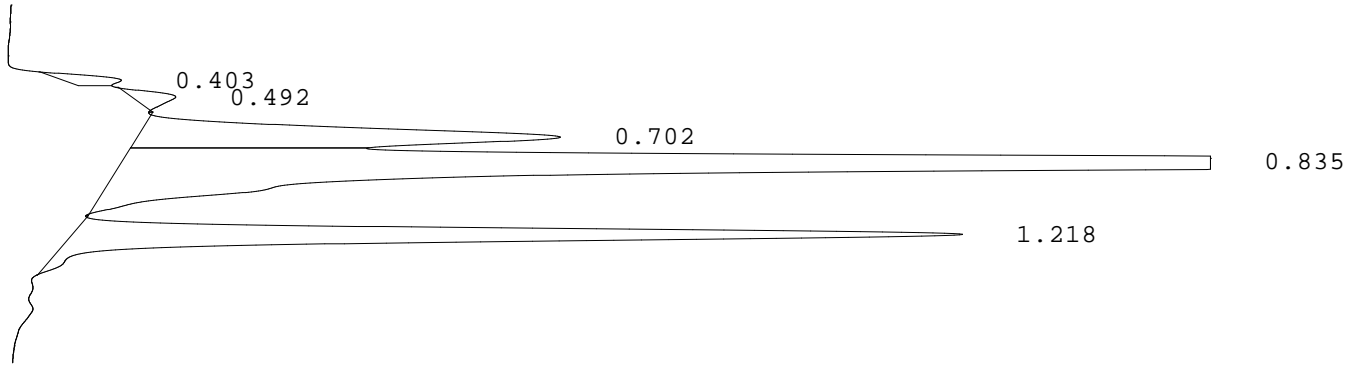


LABORATORIO PREGEN  
Carrera 15a No 106-42  
BOGOTA

Batch 1889, Rack A, Plate 1, Well E03, 830807  
[883479DC1F33AEE8] Aug 20, 2025 12:33:01 Pressure = 59 bar (59 to 61)

FA



PEAK	RT	REL RT	% CONC	AREA	COMMENT
1	0.403	F 0.48	1.0%	16214	
2	0.492	F 0.58	1.0%	17719	
3	0.702	F 0.83	13.1%	222398	Acetylated F peak
4	0.835	F 0.98	63.7%	1082822	Consistent with F
5	1.218	A 1.01	21.2%	361161	A peak - REVIEW
Total Area:				1700314	

- Codes:
- 1) Wide A peak
  - 2) Area of A peak < 80%
  - 3) Peak area greater than expected
  - 4) Peak after A2
  - 5) Alc > 10%
  - 6) HbF or variant present
  - 7) Total sample area too small/big
  - 8) A2 is not within normal range