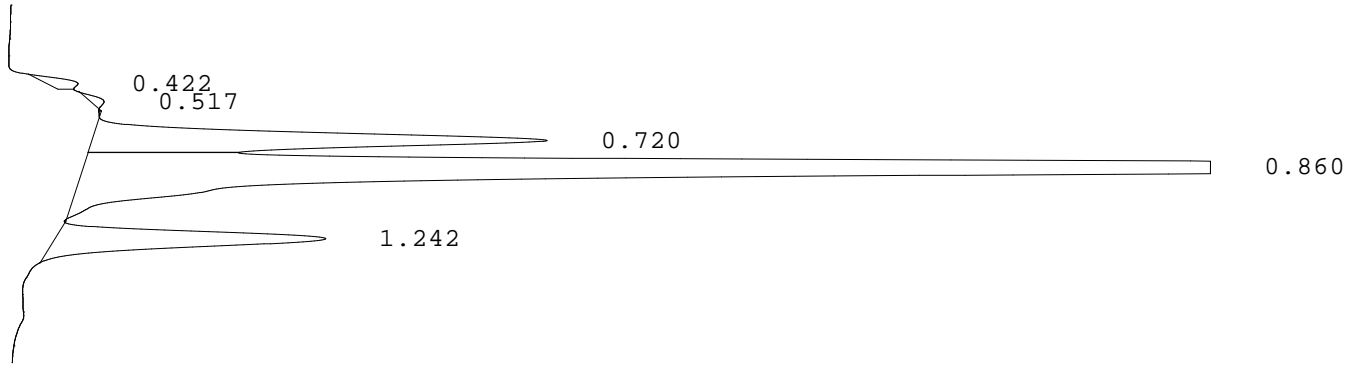


LABORATORIO PREGEN
Carrera 15a No 106-42
BOGOTA

Batch 2124, Rack A, Plate 1, Well E07, 498263
[982759E30D3CA46A] Apr 16, 2026 12:01:40 Pressure = 62 bar (61 to 63)

FA



PEAK	RT	REL RT	% CONC	AREA	COMMENT
1	0.422	F 0.48	0.7%	9436	
2	0.517	F 0.59	0.4%	4924	
3	0.720	F 0.82	16.1%	207882	Acetylated F peak
4	0.860	F 0.98	72.8%	939109	Consistent with F
5	1.242	A 1.01	9.9%	128017	A peak

Total Area: 1289368

- Codes:
- 1) Wide A peak
 - 2) Area of A peak < 80%
 - 3) Peak area greater than expected
 - 4) Peak after A2
 - 5) Alc > 10%
 - 6) HbF or variant present
 - 7) Total sample area too small/big
 - 8) A2 is not within normal range