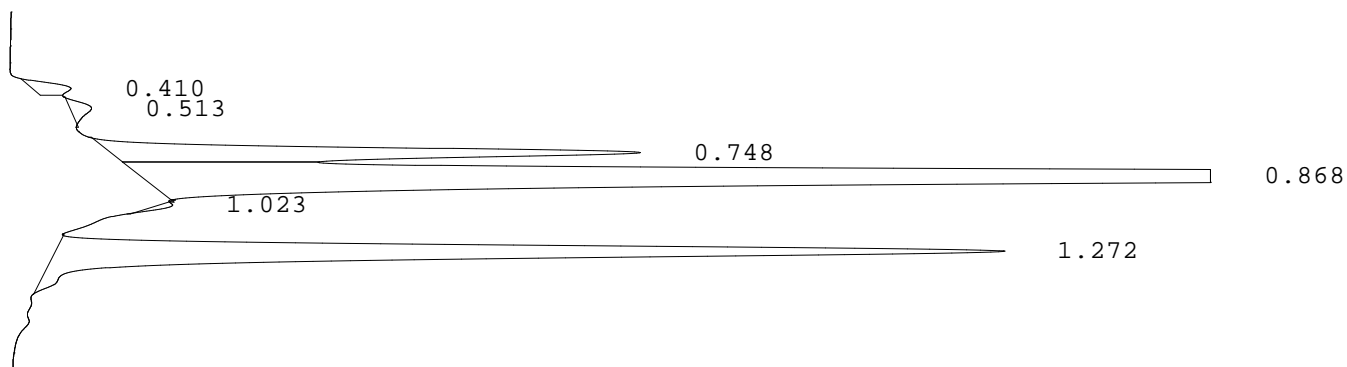


LABORATORIO PREGEN  
 Carrera 15a No 106-42  
 BOGOTA

Batch 2086, Rack A, Plate 1, Well F01, 172557  
 [DD2239717113FB3D] Mar 04, 2026 12:58:29 Pressure = 53 bar (53 to 54)

FA



PEAK	RT	REL RT	% CONC	AREA	COMMENT
1	0.410	F 0.46	0.8%	12446	
2	0.513	F 0.57	0.7%	9880	
3	0.748	F 0.84	11.8%	176537	Acetylated F peak
4	0.868	F 0.97	60.6%	902678	Consistent with F
5	1.023	F 1.14	0.3%	4493	
6	1.272	A 1.00	25.8%	384371	A peak - REVIEW
Total Area:				1490405	

- Codes:
- 1) Wide A peak
  - 2) Area of A peak < 80%
  - 3) Peak area greater than expected
  - 4) Peak after A2
  - 5) Alc > 10%
  - 6) HbF or variant present
  - 7) Total sample area too small/big
  - 8) A2 is not within normal range