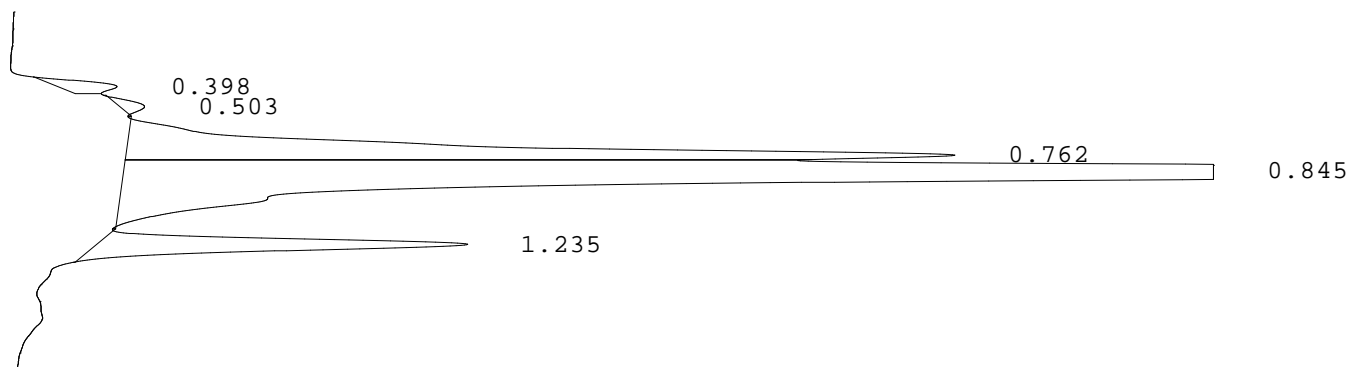


LABORATORIO PREGEN
 Carrera 15a No 106-42
 BOGOTA

Batch 1953, Rack A, Plate 1, Well G10, 859809
 [8C210BDAEA96F937] Oct 21, 2025 13:03:02 Pressure = 64 bar (64 to 66)

FA



PEAK	RT	REL RT	% CONC	AREA	COMMENT
1	0.398	F 0.46	1.1%	19016	
2	0.503	F 0.58	0.5%	9285	
3	0.762	F 0.88	19.5%	345253	Acetylated F peak
4	0.845	F 0.98	71.2%	1261684	Consistent with F
5	1.235	A 1.00	7.7%	135734	A peak
Total Area:				1770972	

- Codes:
- 1) Wide A peak
 - 2) Area of A peak < 80%
 - 3) Peak area greater than expected
 - 4) Peak after A2
 - 5) Alc > 10%
 - 6) HbF or variant present
 - 7) Total sample area too small/big
 - 8) A2 is not within normal range