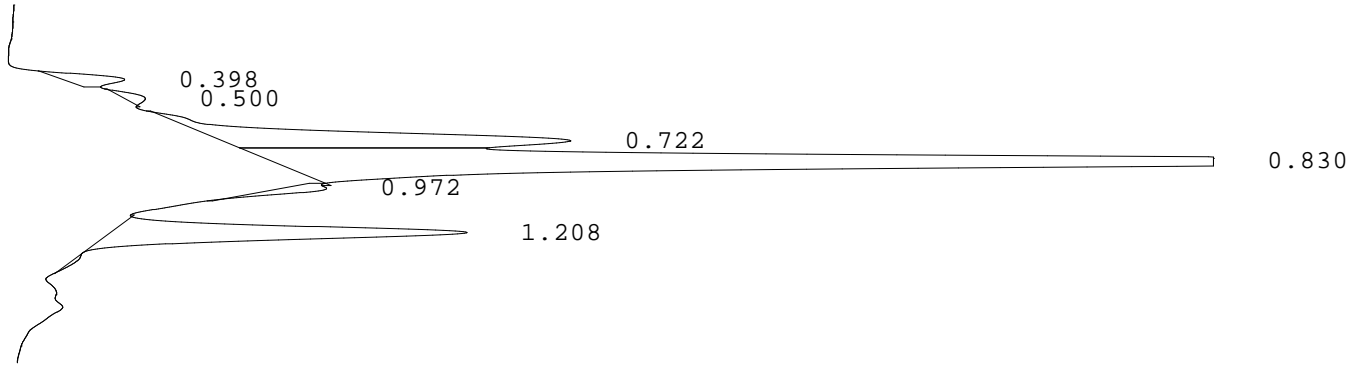


LABORATORIO PREGEN
Carrera 15a No 106-42
BOGOTA

Batch 1793, Rack A, Plate 1, Well A07, 455872-P
[8C20B66AC607A468] May 07, 2025 13:14:13 Pressure = 58 bar (57 to 59)

FA



PEAK	RT	REL RT	% CONC	AREA	COMMENT
1	0.398	F 0.48	2.0%	17989	
2	0.500	F 0.60	0.8%	7216	
3	0.722	F 0.86	17.3%	158237	Acetylated F peak
4	0.830	F 0.99	61.8%	564997	Consistent with F
5	0.972	F 1.16	1.8%	16622	
6	1.208	A 1.01	16.3%	149081	A peak
Total Area:				914142	

- Codes:
- 1) Wide A peak
 - 2) Area of A peak < 80%
 - 3) Peak area greater than expected
 - 4) Peak after A2
 - 5) Alc > 10%
 - 6) HbF or variant present
 - 7) Total sample area too small/big
 - 8) A2 is not within normal range