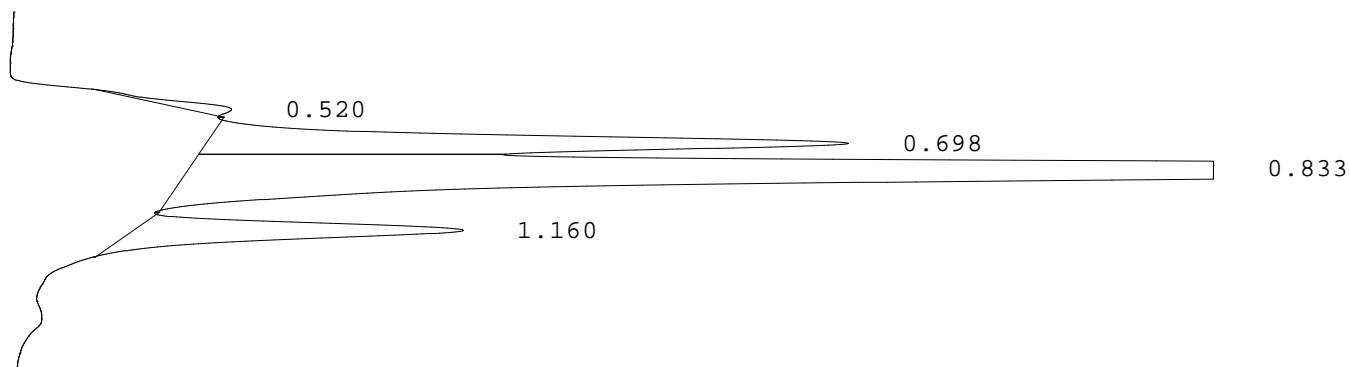


LABORATORIO PREGEN
Carrera 15a No 106-42
BOGOTA

Batch 2188, Rack A, Plate 1, Well F07, 493031
[C869D0967D20E468] Jul 01, 2026 13:09:57 Pressure = 79 bar (79 to 81)

FA



PEAK	RT	REL RT	% CONC	AREA	COMMENT
1	0.520	F 0.62	1.2%	21228	
2	0.698	F 0.83	17.7%	309156	Acetylated F peak
3	0.833	F 1.00	71.5%	1248506	Consistent with F
4	1.160	A 1.00	9.6%	167195	A peak
Total Area:				1746085	

- Codes:
- 1) Wide A peak
 - 2) Area of A peak < 80%
 - 3) Peak area greater than expected
 - 4) Peak after A2
 - 5) Alc > 10%
 - 6) HbF or variant present
 - 7) Total sample area too small/big
 - 8) A2 is not within normal range