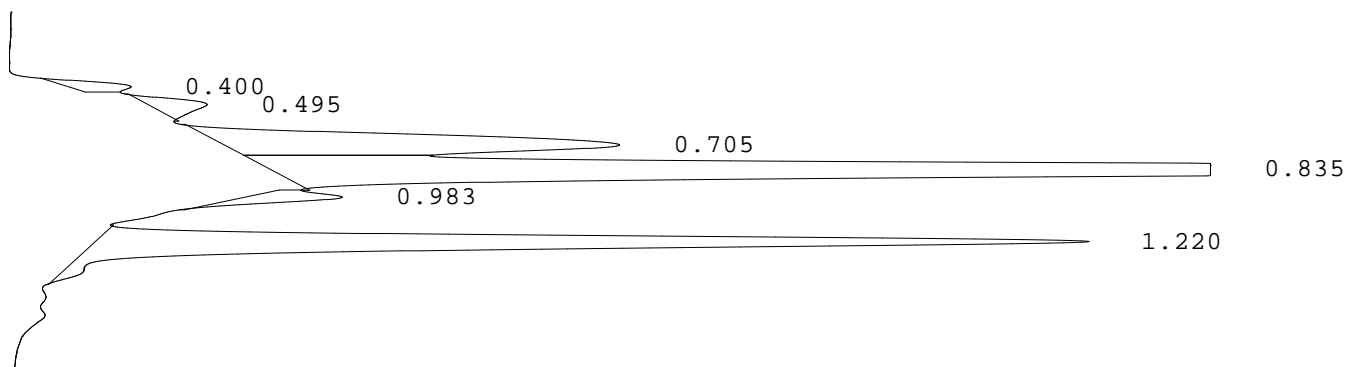


LABORATORIO PREGEN
Carrera 15a No 106-42
BOGOTA

Batch 1865, Rack A, Plate 1, Well C01, 169135
[DC759FDAEAB78EC0] Jul 16, 2025 11:08:43 Pressure = 60 bar (59 to 61)

FA



PEAK	RT	REL RT	% CONC	AREA	COMMENT
1	0.400	F 0.48	1.2%	17464	
2	0.495	F 0.59	1.8%	25663	
3	0.705	F 0.84	14.7%	212932	Acetylated F peak
4	0.835	F 0.99	52.8%	767322	Consistent with F
5	0.983	F 1.17	2.2%	32130	
6	1.220	A 1.01	27.4%	397376	A peak - REVIEW
Total Area:				1452887	

- Codes:
- 1) Wide A peak
 - 2) Area of A peak < 80%
 - 3) Peak area greater than expected
 - 4) Peak after A2
 - 5) Alc > 10%
 - 6) HbF or variant present
 - 7) Total sample area too small/big
 - 8) A2 is not within normal range