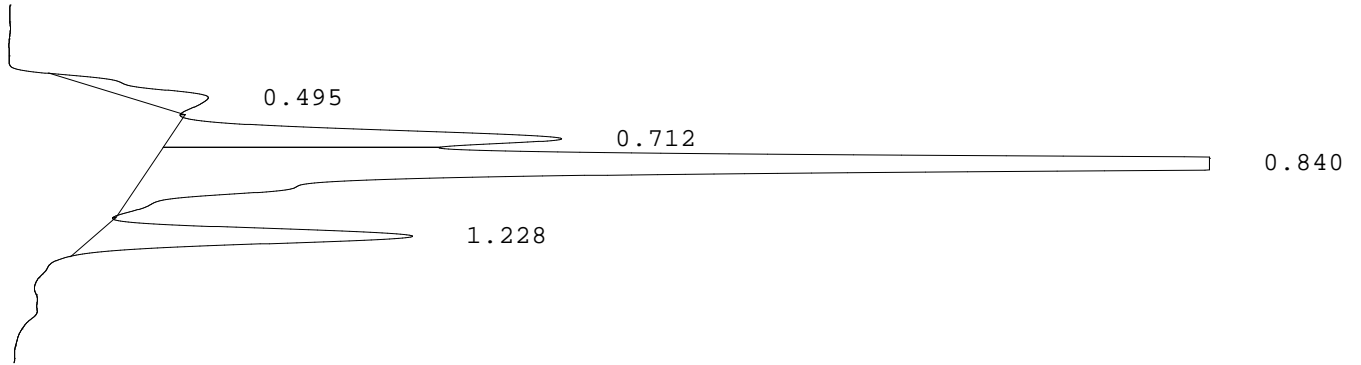


LABORATORIO PREGEN  
Carrera 15a No 106-42  
BOGOTA

Batch 1833, Rack A, Plate 1, Well A10, 456662  
[8C21C7F8B88AD9B7] Jun 18, 2025 10:17:50 Pressure = 61 bar (60 to 62)

FA



PEAK	RT	REL RT	% CONC	AREA	COMMENT
1	0.495	F 0.59	4.0%	54557	
2	0.712	F 0.85	14.0%	190696	Acetylated F peak
3	0.840	F 1.00	71.0%	969866	Consistent with F
4	1.228	A 1.02	11.0%	150369	A peak
Total Area: 1365488					

- Codes:
- 1) Wide A peak
  - 2) Area of A peak < 80%
  - 3) Peak area greater than expected
  - 4) Peak after A2
  - 5) Alc > 10%
  - 6) HbF or variant present
  - 7) Total sample area too small/big
  - 8) A2 is not within normal range