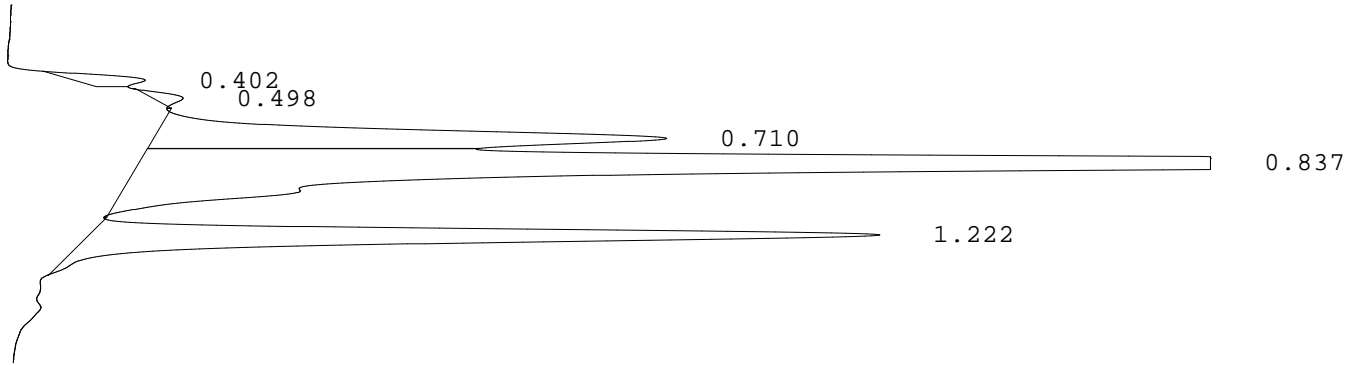


LABORATORIO PREGEN  
Carrera 15a No 106-42  
BOGOTA

Batch 2025, Rack A, Plate 1, Well E07, 490117  
[8877906DEC757B1D] Dec 23, 2025 12:54:09 Pressure = 76 bar (75 to 78)

FA



PEAK	RT	REL RT	% CONC	AREA	COMMENT
1	0.402	F 0.47	1.3%	21442	
2	0.498	F 0.59	0.6%	10608	
3	0.710	F 0.83	15.9%	263749	Acetylated F peak
4	0.837	F 0.98	61.6%	1022220	Consistent with F
5	1.222	A 1.00	20.5%	340906	A peak - REVIEW
Total Area: 1658925					

- Codes:
- 1) Wide A peak
  - 2) Area of A peak < 80%
  - 3) Peak area greater than expected
  - 4) Peak after A2
  - 5) Alc > 10%
  - 6) HbF or variant present
  - 7) Total sample area too small/big
  - 8) A2 is not within normal range