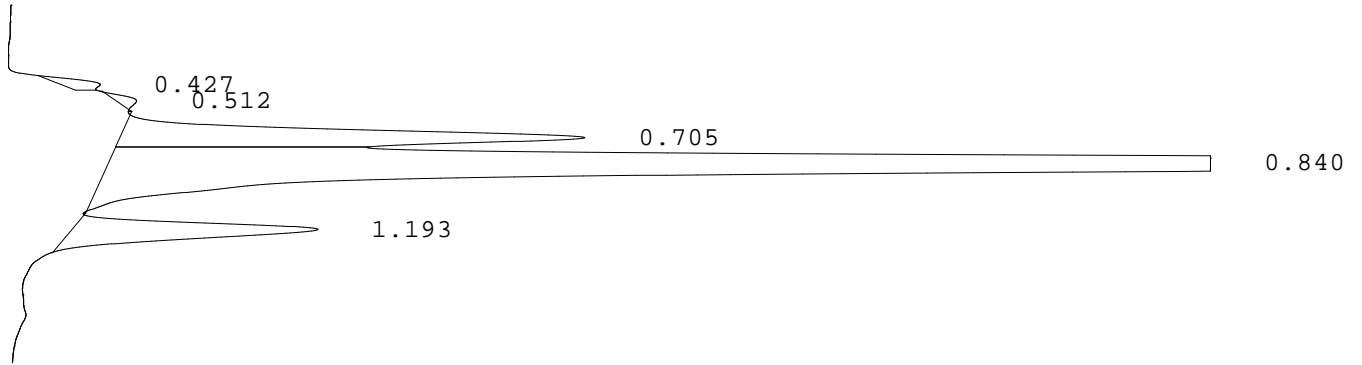


LABORATORIO PREGEN
Carrera 15a No 106-42
BOGOTA

Batch 2161, Rack A, Plate 1, Well G06, 501527
[993CE367ACA5393F] May 29, 2026 13:47:48 Pressure = 61 bar (61 to 63)

FA



PEAK	RT	REL RT	% CONC	AREA	COMMENT
1	0.427	F 0.50	0.8%	11754	
2	0.512	F 0.60	0.5%	7599	
3	0.705	F 0.83	13.9%	209531	Acetylated F peak
4	0.840	F 0.99	77.1%	1160876	Consistent with F
5	1.193	A 0.99	7.7%	116261	A peak
Total Area:				1506021	

- Codes:
- 1) Wide A peak
 - 2) Area of A peak < 80%
 - 3) Peak area greater than expected
 - 4) Peak after A2
 - 5) Alc > 10%
 - 6) HbF or variant present
 - 7) Total sample area too small/big
 - 8) A2 is not within normal range