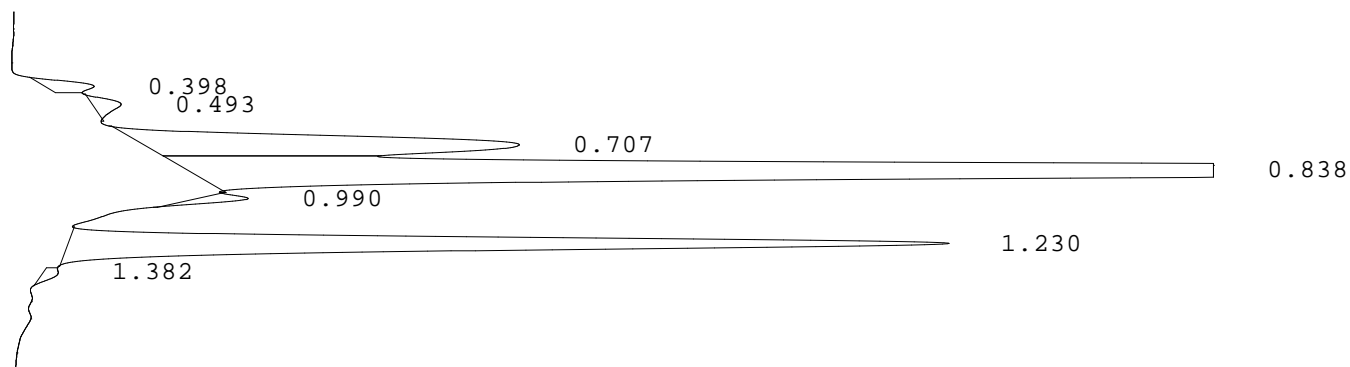


LABORATORIO PREGEN
 Carrera 15a No 106-42
 BOGOTA

Batch 1827, Rack A, Plate 1, Well C09, 168616
 [9C208022D9A2FB3D] Jun 11, 2025 10:20:37 Pressure = 59 bar (59 to 61)

FA



PEAK	RT	REL RT	% CONC	AREA	COMMENT
1	0.398	F 0.47	0.9%	14758	
2	0.493	F 0.58	0.8%	12111	
3	0.707	F 0.83	12.9%	201484	Acetylated F peak
4	0.838	F 0.98	62.4%	976818	Consistent with F
5	0.990	F 1.16	0.9%	13768	
6	1.230	A 1.01	21.8%	340708	A peak - REVIEW
7	1.382	A 1.13	0.4%	5651	
				Total Area: 1565298	

- Codes:
- 1) Wide A peak
 - 2) Area of A peak < 80%
 - 3) Peak area greater than expected
 - 4) Peak after A2
 - 5) Alc > 10%
 - 6) HbF or variant present
 - 7) Total sample area too small/big
 - 8) A2 is not within normal range