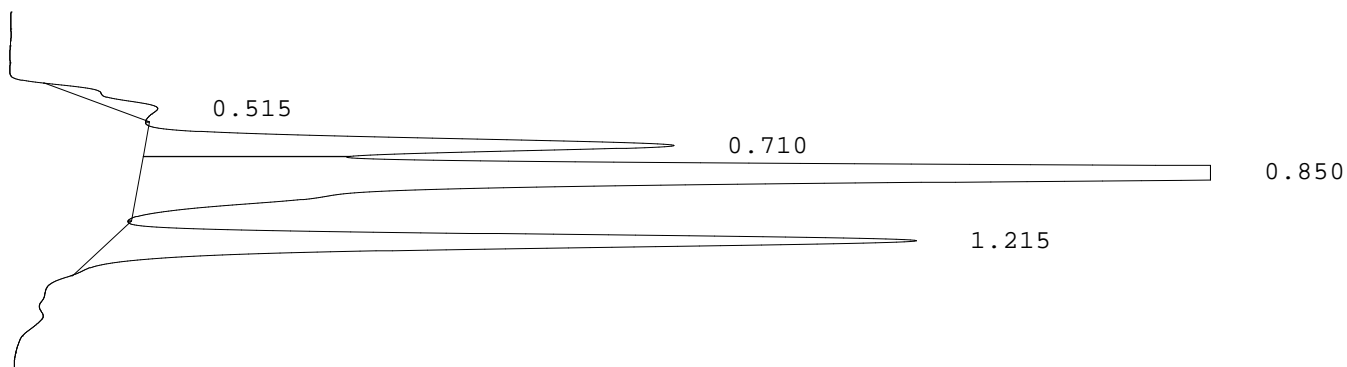


LABORATORIO PREGEN
Carrera 15a No 106-42
BOGOTA

Batch 2143, Rack A, Plate 1, Well A06, 496511
[DD231F49494B7137] May 08, 2026 11:33:58 Pressure = 64 bar (64 to 66)

FA



PEAK	RT	REL RT	% CONC	AREA	COMMENT
1	0.515	F 0.61	1.9%	31529	
2	0.710	F 0.84	14.6%	237903	Acetylated F peak
3	0.850	F 1.00	61.1%	994235	Consistent with F
4	1.215	A 1.01	22.4%	364247	A peak - REVIEW
Total Area: 1627914					

- Codes:
- 1) Wide A peak
 - 2) Area of A peak < 80%
 - 3) Peak area greater than expected
 - 4) Peak after A2
 - 5) Alc > 10%
 - 6) HbF or variant present
 - 7) Total sample area too small/big
 - 8) A2 is not within normal range