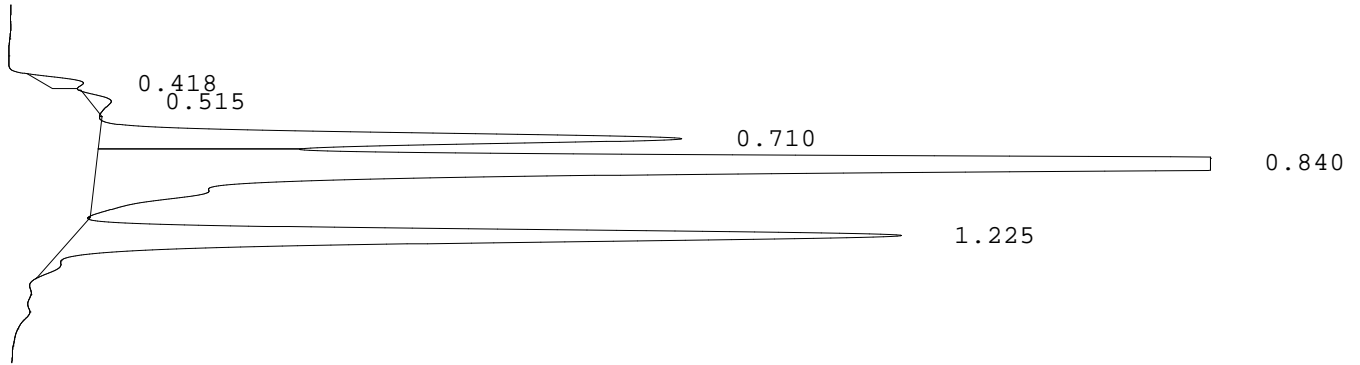


LABORATORIO PREGEN  
Carrera 15a No 106-42  
BOGOTA

Batch 2137, Rack A, Plate 1, Well C03, 173222  
[89221FEACD4B733F] Apr 30, 2026 12:24:52 Pressure = 63 bar (62 to 64)

FA



PEAK	RT	REL RT	% CONC	AREA	COMMENT
1	0.418	F 0.49	0.8%	12145	
2	0.515	F 0.60	0.6%	9265	
3	0.710	F 0.83	13.7%	221867	Acetylated F peak
4	0.840	F 0.98	63.5%	1025907	Consistent with F
5	1.225	A 1.01	21.4%	345922	A peak - REVIEW
Total Area: 1615106					

- Codes:
- 1) Wide A peak
  - 2) Area of A peak < 80%
  - 3) Peak area greater than expected
  - 4) Peak after A2
  - 5) Alc > 10%
  - 6) HbF or variant present
  - 7) Total sample area too small/big
  - 8) A2 is not within normal range