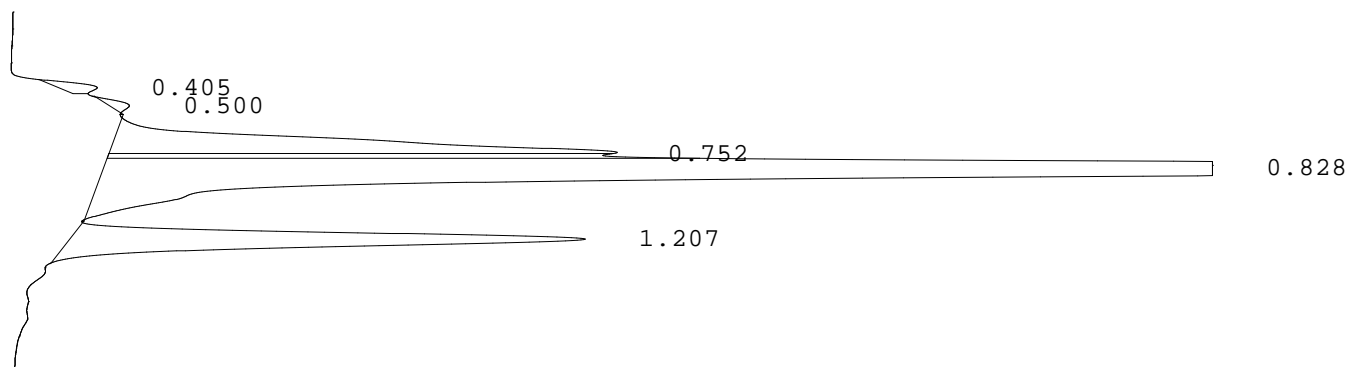


LABORATORIO PREGEN
 Carrera 15a No 106-42
 BOGOTA

Batch 2041, Rack A, Plate 1, Well E10, 171851
 [88339976533551B7] Jan 15, 2026 12:43:26 Pressure = 82 bar (82 to 85)

FA



PEAK	RT	REL RT	% CONC	AREA	COMMENT
1	0.405	F 0.47	0.7%	10914	
2	0.500	F 0.58	0.4%	6716	
3	0.752	F 0.88	16.1%	265423	Acetylated F peak
4	0.828	F 0.97	69.2%	1138754	Consistent with F
5	1.207	A 1.01	13.6%	223955	A peak
Total Area:				1645762	

- Codes:
- 1) Wide A peak
 - 2) Area of A peak < 80%
 - 3) Peak area greater than expected
 - 4) Peak after A2
 - 5) Alc > 10%
 - 6) HbF or variant present
 - 7) Total sample area too small/big
 - 8) A2 is not within normal range