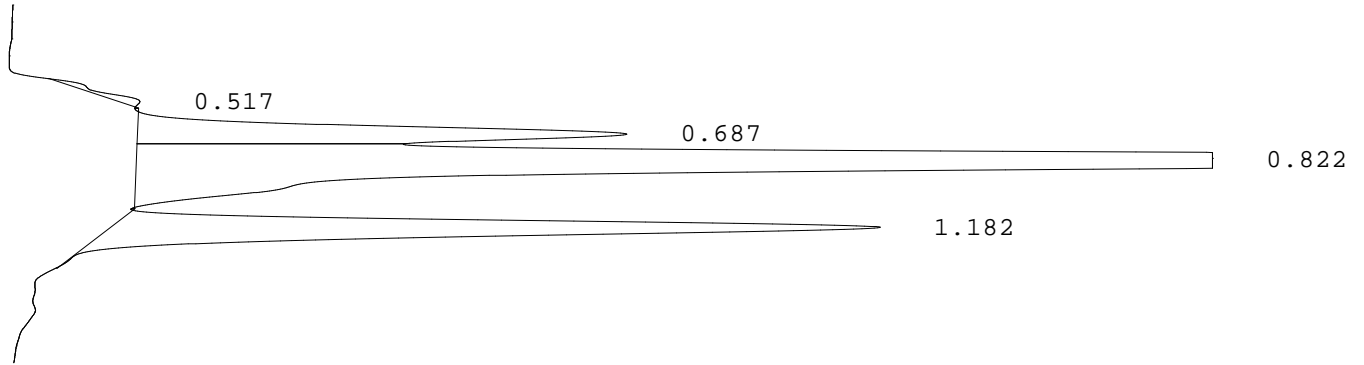


LABORATORIO PREGEN  
Carrera 15a No 106-42  
BOGOTA

Batch 2182, Rack A, Plate 1, Well D10, 501427  
[9D78FF78916539BD] Jun 23, 2026 11:42:05 Pressure = 72 bar (72 to 74)

FA



PEAK	RT	REL RT	% CONC	AREA	COMMENT
1	0.517	F 0.61	0.7%	12834	
2	0.687	F 0.81	12.8%	227127	Acetylated F peak
3	0.822	F 0.97	65.6%	1167270	Consistent with F
4	1.182	A 1.01	20.9%	372260	A peak - REVIEW
Total Area:				1779491	

- Codes:
- 1) Wide A peak
  - 2) Area of A peak < 80%
  - 3) Peak area greater than expected
  - 4) Peak after A2
  - 5) Alc > 10%
  - 6) HbF or variant present
  - 7) Total sample area too small/big
  - 8) A2 is not within normal range