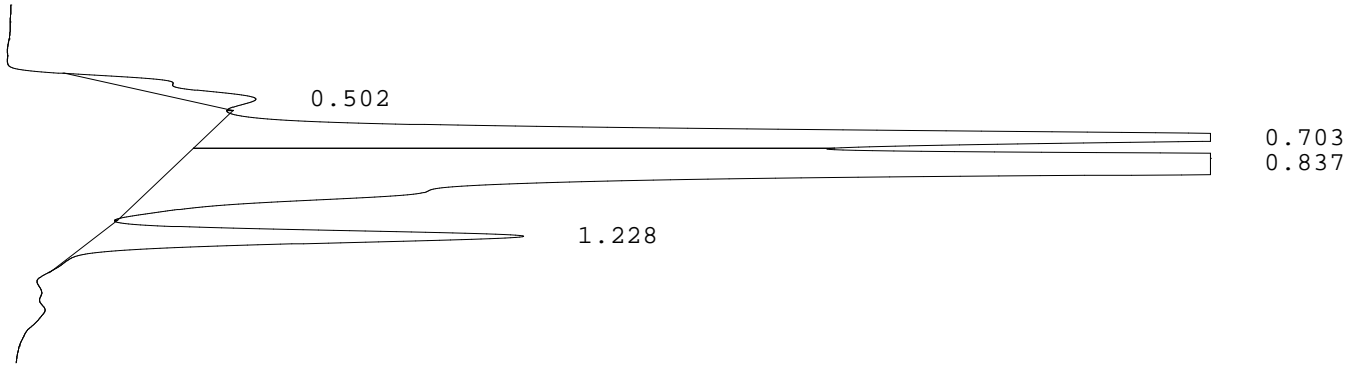


LABORATORIO PREGEN
Carrera 15a No 106-42
BOGOTA

Batch 2003, Rack A, Plate 1, Well D11, 483941
[8973EEA427CF71B7] Dec 03, 2025 11:42:38 Pressure = 72 bar (72 to 74)

FA



| PEAK | RT | REL RT | % CONC | AREA | COMMENT |
|-------------|-------|--------|--------|---------|-------------------|
| 1 | 0.502 | F 0.58 | 1.9% | 56502 | |
| 2 | 0.703 | F 0.82 | 19.5% | 570753 | Acetylated F peak |
| 3 | 0.837 | F 0.97 | 72.7% | 2131014 | Consistent with F |
| 4 | 1.228 | A 1.01 | 5.9% | 173980 | A peak |
| Total Area: | | | | 2932249 | |

- Codes:
- 1) Wide A peak
 - 2) Area of A peak < 80%
 - 3) Peak area greater than expected
 - 4) Peak after A2
 - 5) Alc > 10%
 - 6) HbF or variant present
 - 7) Total sample area too small/big
 - 8) A2 is not within normal range