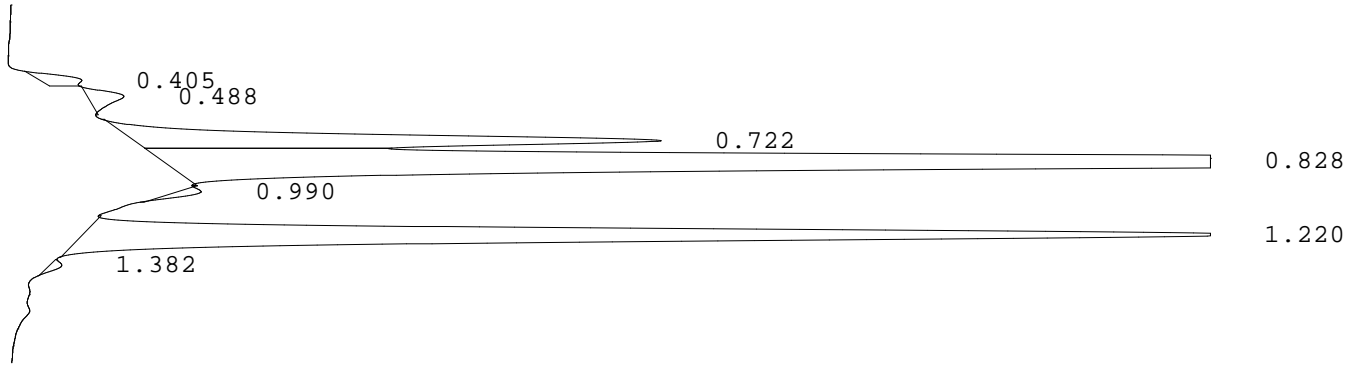


LABORATORIO PREGEN
 Carrera 15a No 106-42
 BOGOTA

Batch 1893, Rack A, Plate 1, Well C12, 169874 FA
 [D9357D4B16C4D3B5] Aug 27, 2025 11:00:47 Pressure = 62 bar (62 to 63)



PEAK	RT	REL RT	% CONC	AREA	COMMENT
1	0.405	F 0.47	0.8%	12550	
2	0.488	F 0.57	1.0%	15249	
3	0.722	F 0.84	12.0%	186506	Acetylated F peak
4	0.828	F 0.97	56.6%	878983	Consistent with F
5	0.990	F 1.15	0.5%	8329	
6	1.220	A 1.02	28.9%	448596	A peak - REVIEW
7	1.382	S 0.89	0.2%	3782	
Total Area:				1553995	

- Codes:
- 1) Wide A peak
 - 2) Area of A peak < 80%
 - 3) Peak area greater than expected
 - 4) Peak after A2
 - 5) Alc > 10%
 - 6) HbF or variant present
 - 7) Total sample area too small/big
 - 8) A2 is not within normal range