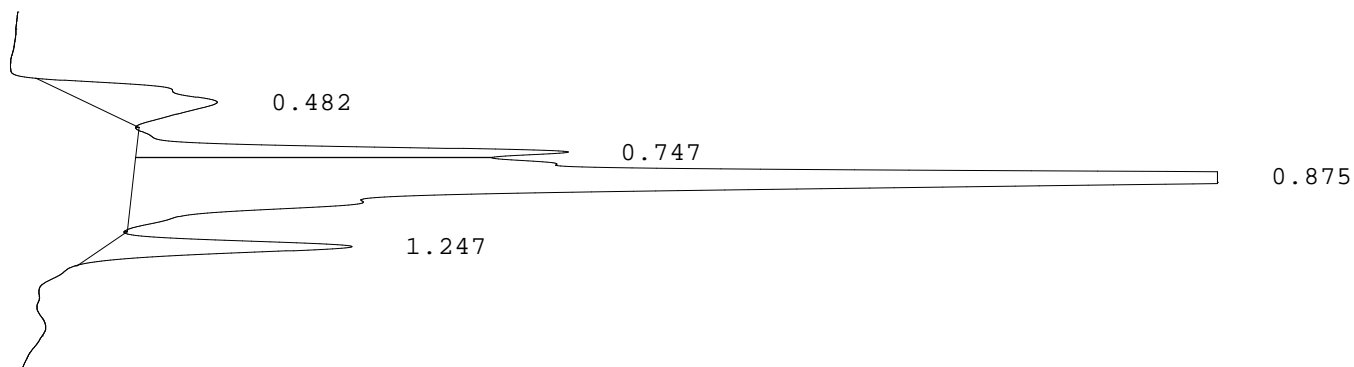


LABORATORIO PREGEN  
Carrera 15a No 106-42  
BOGOTA

Batch 1359, Rack A, Plate 1, Well D06, 27483  
[98DDB04721AF9F15] Apr 03, 2024 10:57:55 Pressure = 61 bar (61 to 61)

FA



PEAK	RT	REL RT	% CONC	AREA	COMMENT
1	0.482	F 0.55	8.0%	109488	
2	0.747	F 0.85	10.0%	137212	Acetylated F peak
3	0.875	F 0.99	75.0%	1028933	Consistent with F
4	1.247	A 0.99	7.0%	95657	A peak
Total Area:				1371290	

- Codes:
- 1) Wide A peak
  - 2) Area of A peak < 80%
  - 3) Peak area greater than expected
  - 4) Peak after A2
  - 5) Alc > 10%
  - 6) HbF or variant present
  - 7) Total sample area too small/big
  - 8) A2 is not within normal range