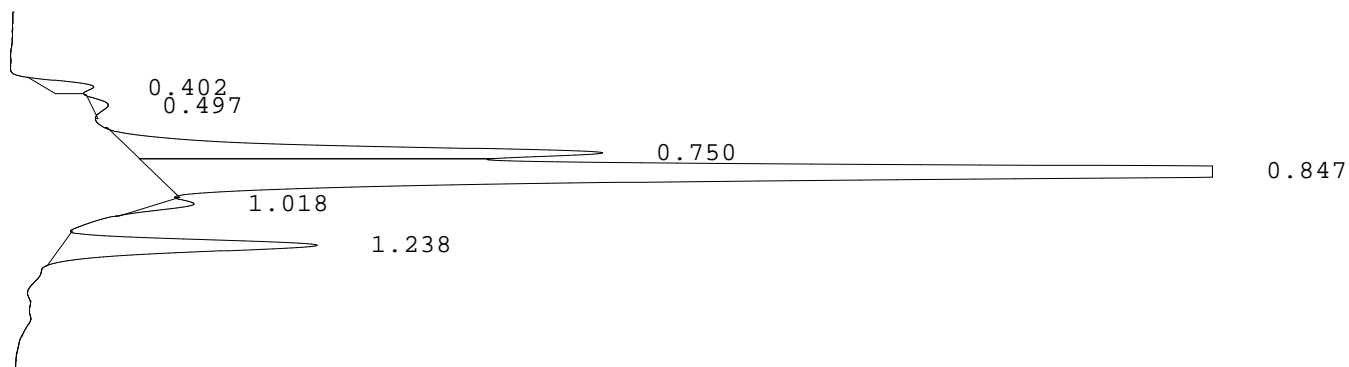


LABORATORIO PREGEN  
 Carrera 15a No 106-42  
 BOGOTA

Batch 2003, Rack A, Plate 1, Well D07, 483311  
 [C837FFF172328CC8] Dec 03, 2025 11:34:33 Pressure = 73 bar (72 to 74)

FA



PEAK	RT	REL RT	% CONC	AREA	COMMENT
1	0.402	F 0.47	1.5%	16045	
2	0.497	F 0.58	0.6%	6678	
3	0.750	F 0.87	16.6%	174842	Acetylated F peak
4	0.847	F 0.98	70.7%	743244	Consistent with F
5	1.018	F 1.18	1.1%	11694	
6	1.238	A 1.02	9.5%	99442	A peak
Total Area:				1051945	

- Codes:
- 1) Wide A peak
  - 2) Area of A peak < 80%
  - 3) Peak area greater than expected
  - 4) Peak after A2
  - 5) Alc > 10%
  - 6) HbF or variant present
  - 7) Total sample area too small/big
  - 8) A2 is not within normal range