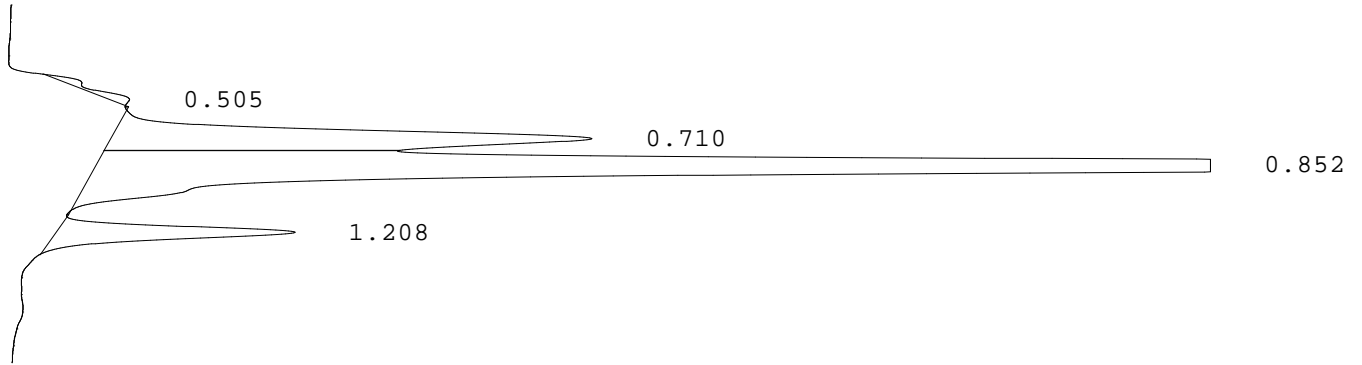


LABORATORIO PREGEN
Carrera 15a No 106-42
BOGOTA

Batch 2038, Rack A, Plate 1, Well C08, 489999
[D823CDF652E084C0] Jan 09, 2026 11:41:31 Pressure = 81 bar (79 to 82)

FA



| PEAK | RT | REL RT | % CONC | AREA | COMMENT |
|-------------|-------|--------|--------|---------|-------------------|
| 1 | 0.505 | F 0.60 | 1.0% | 13609 | |
| 2 | 0.710 | F 0.84 | 19.4% | 258008 | Acetylated F peak |
| 3 | 0.852 | F 1.01 | 72.5% | 965377 | Consistent with F |
| 4 | 1.208 | A 1.01 | 7.1% | 94822 | A peak |
| Total Area: | | | | 1331816 | |

- Codes:
- 1) Wide A peak
 - 2) Area of A peak < 80%
 - 3) Peak area greater than expected
 - 4) Peak after A2
 - 5) Alc > 10%
 - 6) HbF or variant present
 - 7) Total sample area too small/big
 - 8) A2 is not within normal range