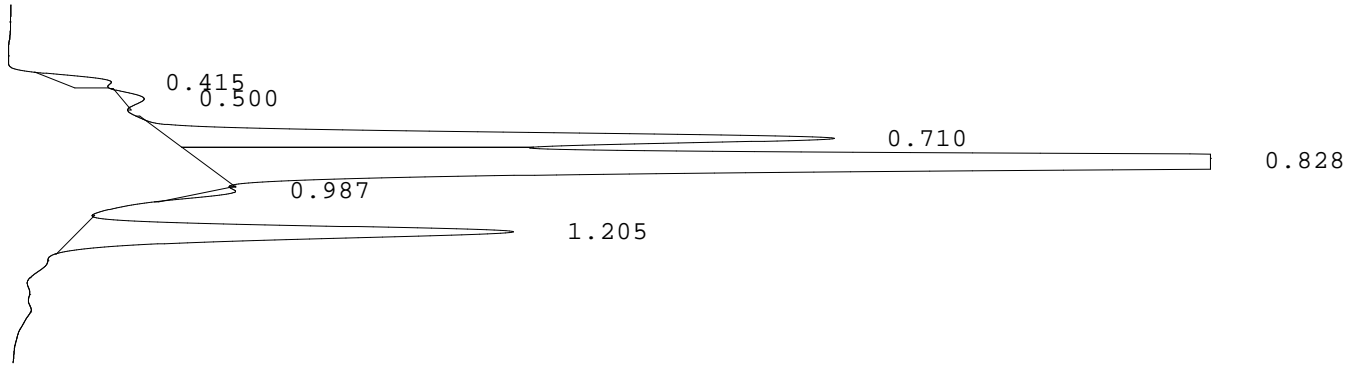


LABORATORIO PREGEN  
Carrera 15a No 106-42  
BOGOTA

Batch 2034, Rack A, Plate 1, Well E09, 483330  
[DC6292132B755B3D] Jan 06, 2026 12:31:49 Pressure = 83 bar (82 to 85)

FA



| PEAK        | RT    | REL RT | % CONC | AREA    | COMMENT           |
|-------------|-------|--------|--------|---------|-------------------|
| 1           | 0.415 | F 0.48 | 1.1%   | 16702   |                   |
| 2           | 0.500 | F 0.58 | 0.6%   | 8360    |                   |
| 3           | 0.710 | F 0.83 | 17.1%  | 256327  | Acetylated F peak |
| 4           | 0.828 | F 0.97 | 68.5%  | 1026688 | Consistent with F |
| 5           | 0.987 | F 1.15 | 0.6%   | 9014    |                   |
| 6           | 1.205 | A 1.01 | 12.1%  | 180662  | A peak            |
| Total Area: |       |        |        | 1497753 |                   |

- Codes:
- 1) Wide A peak
  - 2) Area of A peak < 80%
  - 3) Peak area greater than expected
  - 4) Peak after A2
  - 5) Alc > 10%
  - 6) HbF or variant present
  - 7) Total sample area too small/big
  - 8) A2 is not within normal range