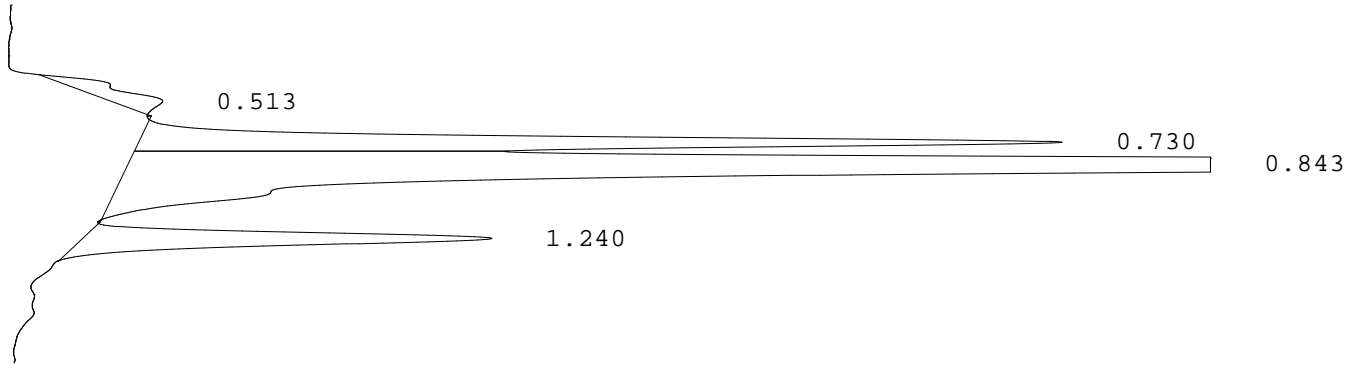


LABORATORIO PREGEN  
Carrera 15a No 106-42  
BOGOTA

Batch 2127, Rack A, Plate 1, Well A09, 502951  
[992209CAC849533F] Apr 21, 2026 10:00:52 Pressure = 65 bar (64 to 66)

FA



PEAK	RT	REL RT	% CONC	AREA	COMMENT
1	0.513	F 0.60	2.4%	41609	
2	0.730	F 0.85	19.4%	329916	Acetylated F peak
3	0.843	F 0.98	68.4%	1163557	Consistent with F
4	1.240	A 1.01	9.7%	165656	A peak
Total Area:				1700738	

- Codes:
- 1) Wide A peak
  - 2) Area of A peak < 80%
  - 3) Peak area greater than expected
  - 4) Peak after A2
  - 5) Alc > 10%
  - 6) HbF or variant present
  - 7) Total sample area too small/big
  - 8) A2 is not within normal range